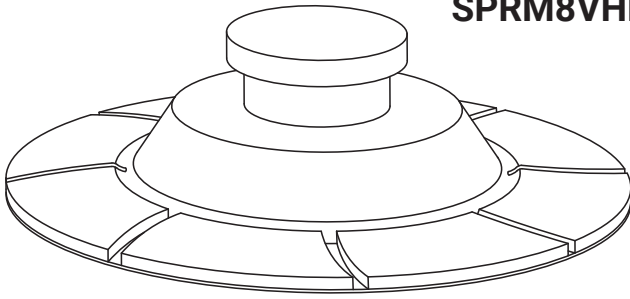


SPRM8VHB

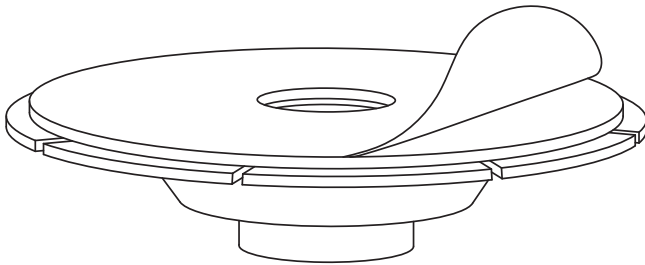


Includes:

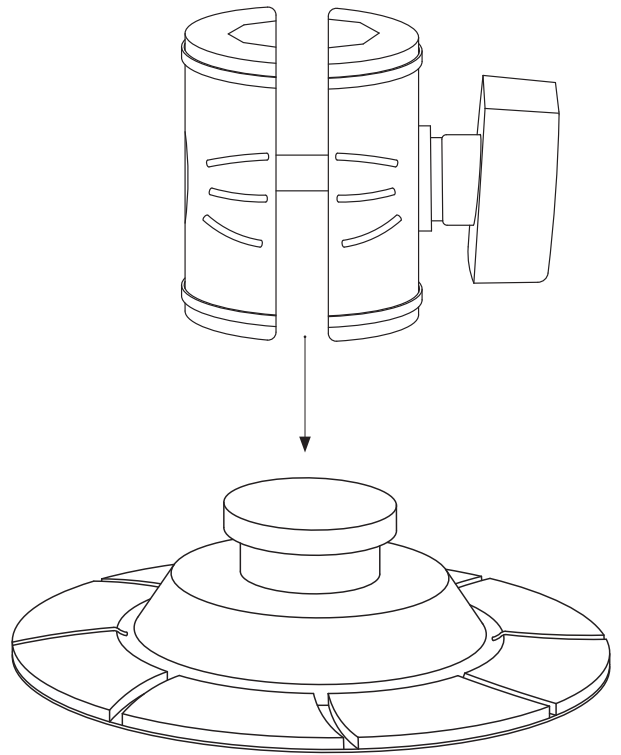
- 1 - Manual
- 1 - Adhesive Base to Octagon Button Adapter

IMPORTANT: Clean the application surface and make sure it is free of dirt, dust, and grease before installing the mounting hardware.

- 1 Remove the protective film from the mounting base**
Open the packaging to find the adhesive base to octagon button adapter. Remove the red protective film from the mounting base without damaging the adhesive. The mounting base is now ready to be securely attached to the surface.



- 2 Install the Adhesive base to Octagon button adapter onto the dashboard**
After firmly pressing the mounting base onto the dashboard to ensure a secure attachment, give the adhesive 24 hours to cure before attempting to attach any shafts to the base. Once the adhesive has fully cured, you can place your octagon shaft arm onto the top side of the adapter.



WARNING

CHOKING HAZARD - Keep out of reach from children under 8 yrs. as they can choke or suffocate on parts included with this system.

WARNING

Arkon® is not responsible for any damages caused to your device or yourself due to the installation or use of this mount. Do not install Arkon® products near areas that interfere with operation of vehicles. Arkon® assumes no responsibility or liability for injury or death as a result of failure to install in a safe location. Arkon® is not responsible for any damages caused to vehicles, product, or people due to the installation or use of this product.

