

Package Contents:



GN042-SBH-1B
Cup Holder Mount
for Satellite Radio

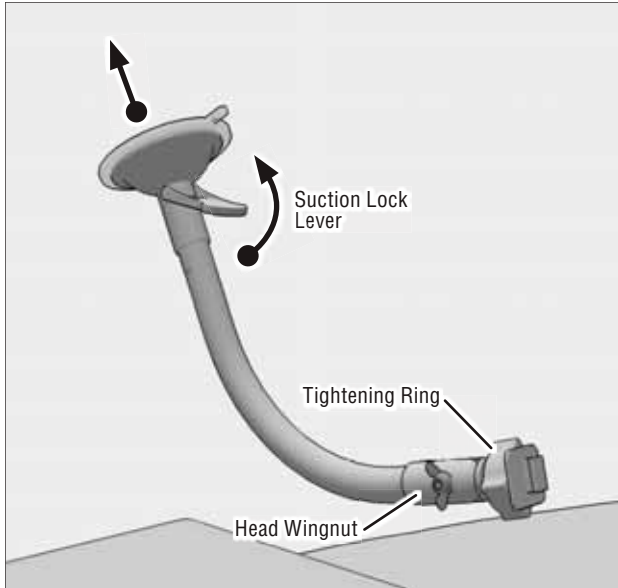


AP012
2-Way Single T-Slot to
4-Hole AMPS Adapter
Plate

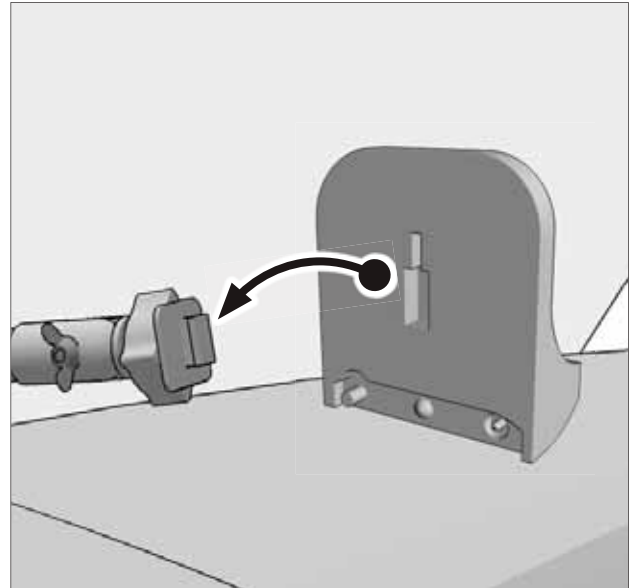


AP013
Adhesive Dashboard
Mounting Disk

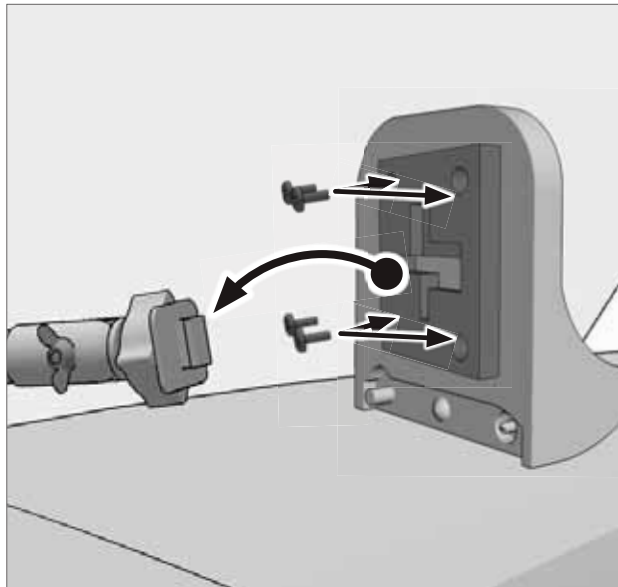
- 1 Attach mount to windshield, engage suction lock lever; adjust tightening ring and head wingnut as necessary.



- 2 XM Receivers: Attach XM holder to the mount.



- 3 Sirius Receivers: Screw adapter plate to Sirius holder and attach to mount.



Safety Precautions

Do not install Arkon products over an air bag cover or within the air bag deployment zone. Arkon Resources, Inc. assumes no responsibility of liability for injury or death as a result of car crashes and/or air bag deployment.

Arkon is not responsible for any damages caused to your car, your device, or yourself due to the installation or use of this pedestal mount.