



GN057



SP-SB-1T-B



AP012



SP-SB-RING

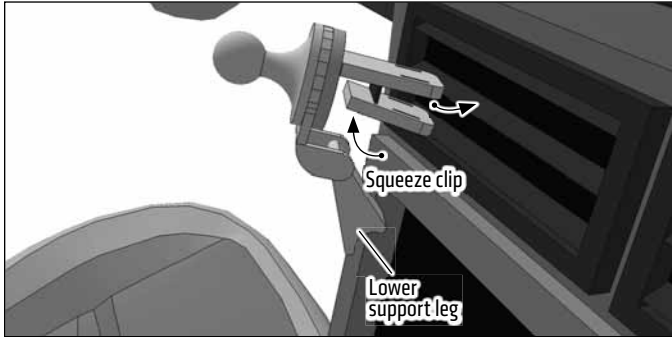
**Package Contents:**

- (1) GN057 – Removable Air Vent Mounting Pedestal
- (1) SP-SB-RING – Tightening Ring
- (1) SP-SB-1T-B – Single T-Tab SBH Head
- (1) AP012 – Single T-Slot to 4-Hole AMPSS Adapter

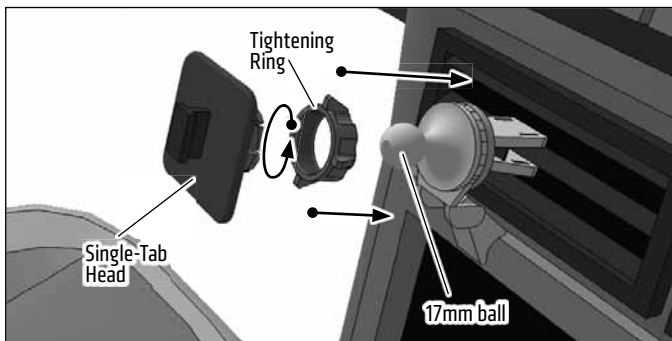
**NOTE:** Not compatible with round air vent louvers.

**Pedestal Adjustment Instructions**

- 1 To attach mount, squeeze clip to open and insert into air vent louvers. Adjust lower support leg.

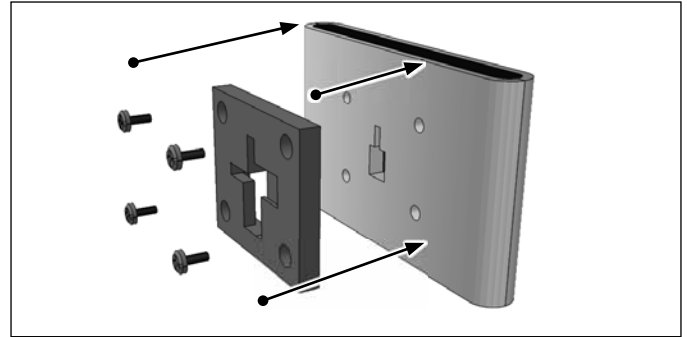


- 2 Place adjustment ring over the pedestal ball and snap the Dual T-Tab head onto the pedestal. Adjust angle and tighten adjustment ring to secure mount in desired position.

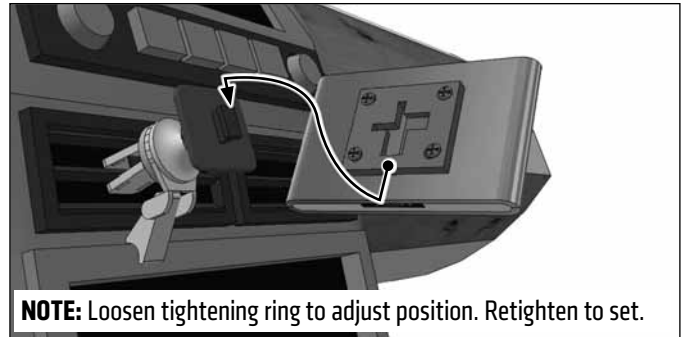


**Adapter Plate Instructions (for Sirius receivers only)**

- 1 Secure adapter plate to the Sirius receiver by using a screwdriver to mount the adapter plate with screws provided.

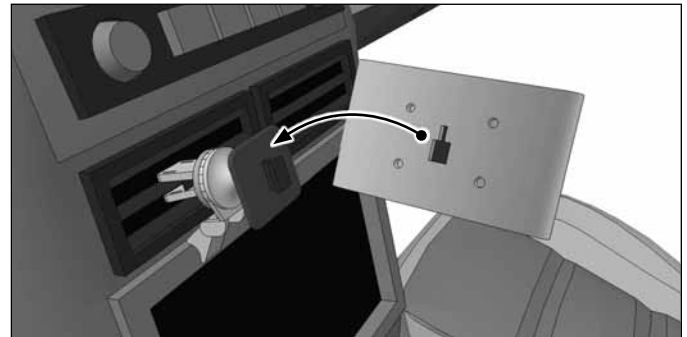


- 2 Attach device by inserting the Single T-Slot adapter and radio into the Single T-Tab on the mounting pedestal.



**XM Receiver Attachment**

- 1 Attach the XM device directly to the pedestal head by inserting the Single T-Tab into the Single T-Slot of the XM device.



**Safety Precautions**

Do not install Arkon products over an air bag cover or within the air bag deployment zone. Arkon Resources, Inc. assumes no responsibility of liability for injury or death as a result of car crashes and / or air bag deployment.

Arkon is not responsible for any damages caused to your car, your device, or yourself due to the installation or use of this pedestal mount.



*The Mobile Mounting Specialists™*

**Consumer Hotline:**

**USA** (800) 841-0884

**INT'L** (626) 254-9005

Monday - Friday 9 am - 5 pm, PST

**www.arkon.com**

Arcadia, CA 91006 USA

Designed in USA | Made in Taiwan & China

© Copyright 2016 Arkon Resources, Inc.