



GN086-12-SBH

TAB001

**Includes:**

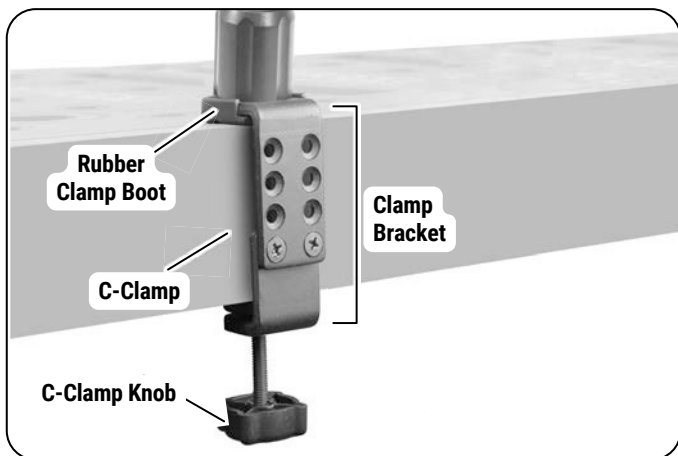
- 1 - Slim-Grip® Tablet Holder Kit (TAB001)
- 1 - Aluminum Mounting Pedestal with 12" Gooseneck (GN086-12-SBH)

Optional - (1) Rubber Clamp Boot

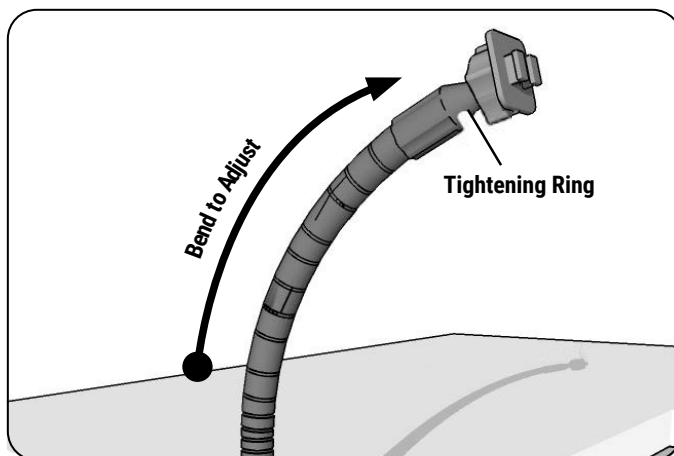
Clamp opening: 0" - 3" (0mm - 76mm)

**IMPORTANT:** Select the appropriate short or long support legs and install to holder. For large devices, select 4 long support legs.

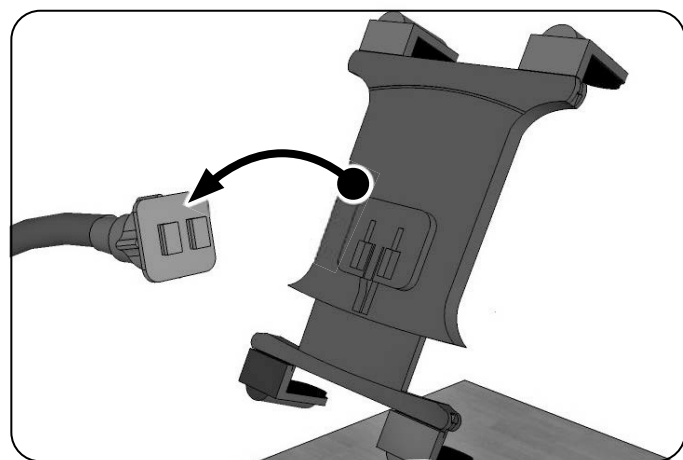
**1** Attach the mount clamp by rotating the C-Clamp knob. Use a Phillips screwdriver to adjust the clamp bracket position. Optionally, slide a rubber boot onto the top of the mount's clamp to prevent scratches if preferred.



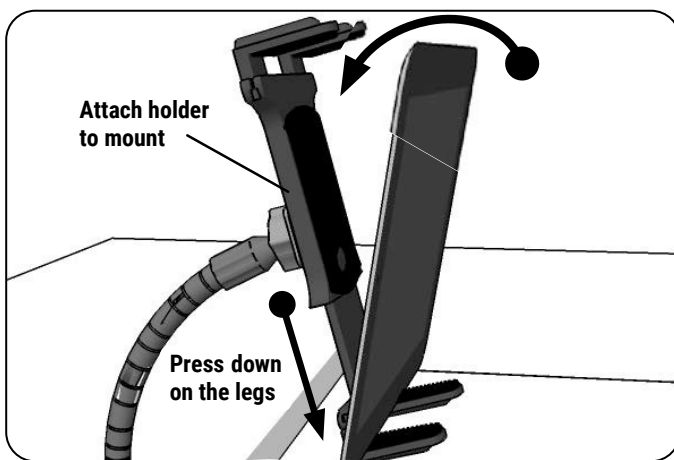
**2** Adjust the position of the mount by firmly bending the neck. Ball head can also be adjusted via the tightening ring.



**3** Attach the Slim-Grip Universal Tablet holder by inserting the Dual T-Tabs on the pedestal head into the Dual T-Slots of the holder.



**4** Place the tablet by pressing down on the lower legs of the tablet holder.



**WARNING**

CHOKING HAZARD - Keep out of reach from children under 8 yrs. as they can choke or suffocate on parts included with this system

**WARNING**

Arkon® is not responsible for any damages caused to your device or yourself due to the installation or use of this mount. Do not install Arkon® products near areas that interfere with operation of vehicles. Arkon® assumes no responsibility or liability for injury or death as a result of failure to install in a safe location. Arkon® is not responsible for any damages caused to vehicles, product, or people due to the installation or use of this product.

