

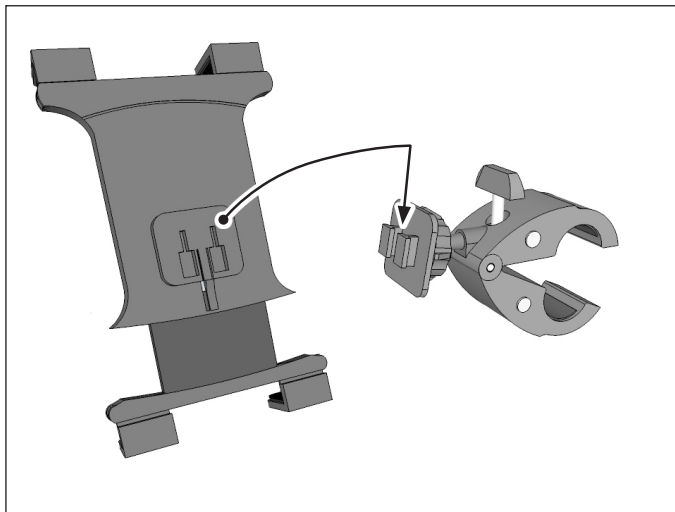


Package Contents:

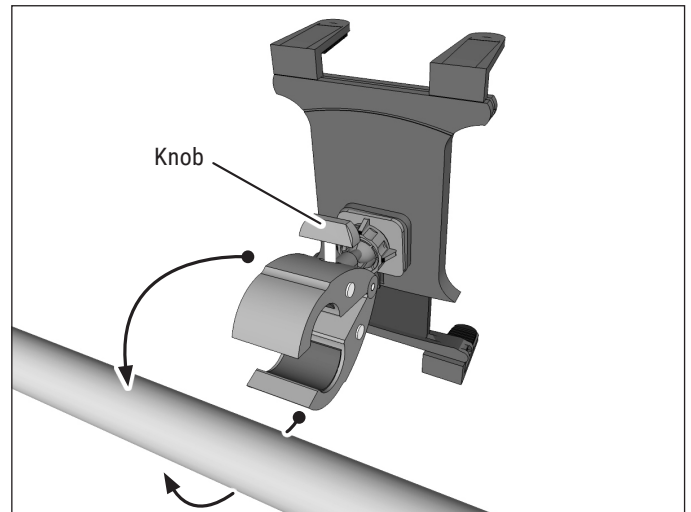
- (1) **TAB001** – Slim-Grip Universal Tablet Holder
- (1) **GN03122-B** – Clamp Post Mount with Dual-T Head
- (1) **SP-SB-RING-22** – 22mm Tightening Ring
- (1) **SP-SB-2T-22** – 22mm to Dual T-Tab Adapter

The Slim-Grip Universal Tablet Holder fits tablets with 7" - 18.4" screen size. It includes 4 short, 2 medium, and 4 long support legs. Select a combination of 4 support legs in conjunction for use with the spring-loaded holder to achieve the perfect fit for your tablet.

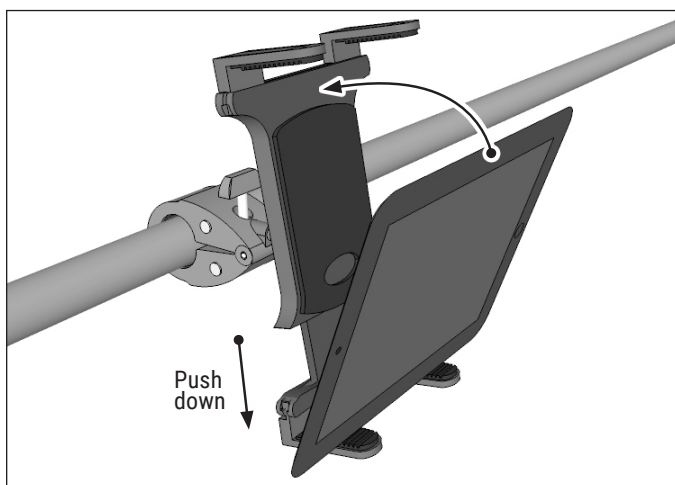
- 1** Attach holder by inserting the mount's Dual T-Tabs into the holder's Dual T-Slots.



- 2** Unscrew mount's knob to loosen grip. Place the mount around pole as desired, then retighten knob to secure.



- 3** Insert device by pushing down on lower legs of spring-loaded holder.



WARNING
Arkon is not responsible for any damages caused to your device or yourself due to the installation or use of this mount.