

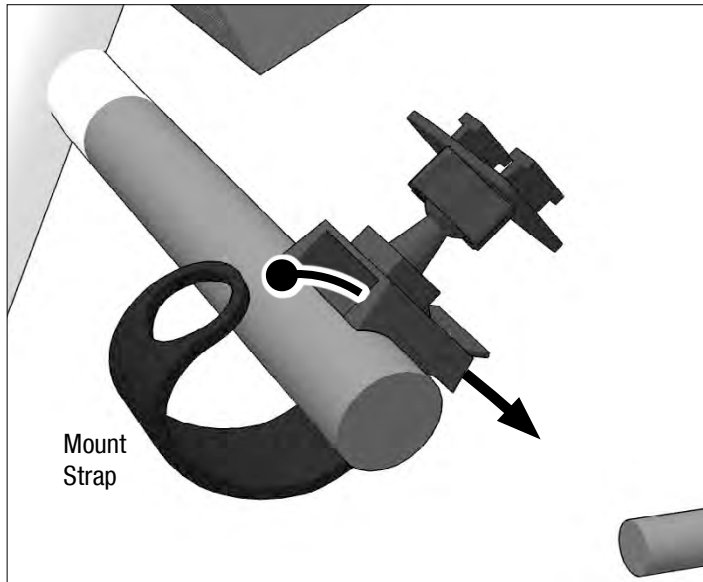


**Package Contents:**

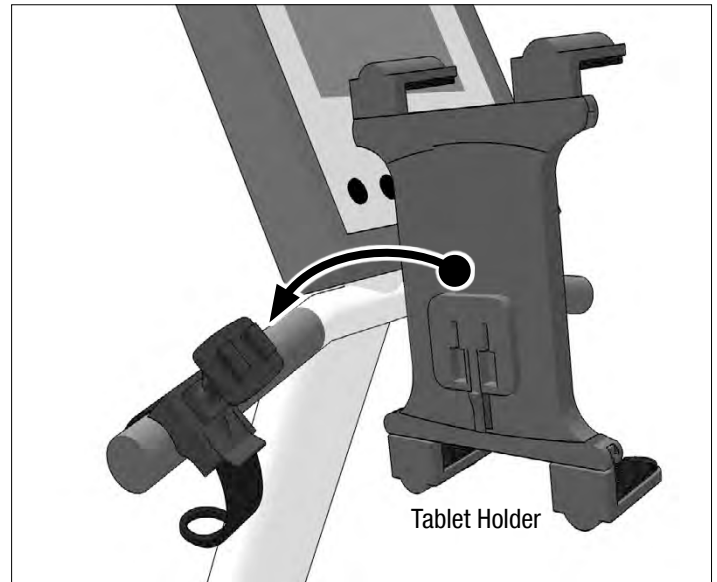
- TAB001 - Slim-Grip® Universal Tablet Holder
- GN034-SBH - Quick-Release Strap Mount

**IMPORTANT:** The Slim-Grip Universal Tablet Holder fits all tablets with 8.9" - 18.4" screen size. It includes 4 short, 2 medium, and 4 long support legs. Select a combination of 4 support legs in conjunction for use with the spring-loaded holder to achieve the perfect fit for your tablet.

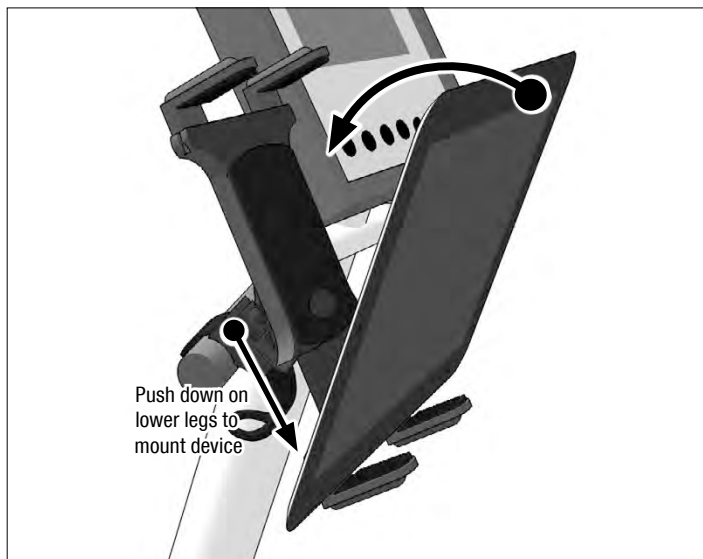
- 1** Wrap strap around bar and insert through slot on mount. Pull tightly to secure.



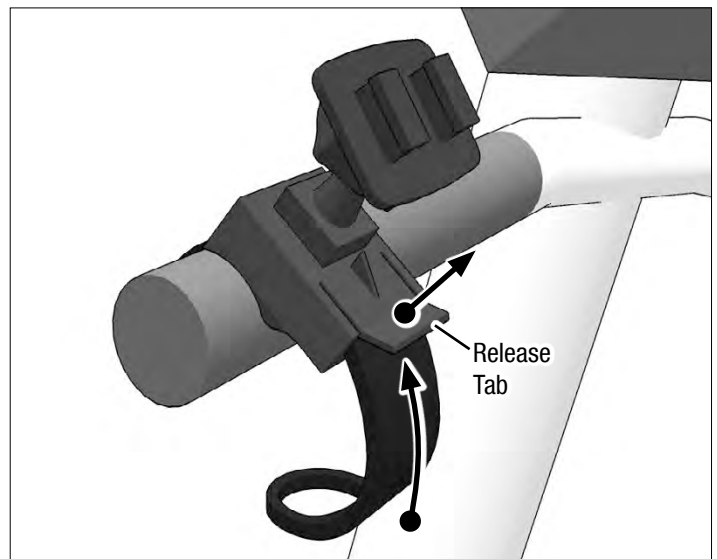
- 2** Attach holder by inserting the holder's Dual T-Tabs into the mount's Dual T-Slots.



- 3** Place device in the holder by pushing down on holder's lower legs.



- 4** Remove mount by pulling up release tab and pushing strap back through slot.



**Safety Precautions**

Arkon is not responsible for any damages caused to your vehicle, your device, or yourself due to the installation or use of this mount.