



TAB004KL-B



CAFIQC3



CAUSBMC3



RMS2XAMPS-MET-SH

**Package Contents:**

- (1) TAB004KL-B – Universal Metal Locking Tablet Holder with Key Lock
- (1) CAFIQC3 – Fixed install USB Vehicle Power Adapter (12-33V Input, 3.0 AMP Output)
- (1) CAUSBMC3 – USB to Micro USB Cable (3 foot)
- (1) RMS2XAMPS-MET-SH – Robust Series Small Shaft with AMPS Base and Security Hardware

Hardwire this 6-foot power adapter directly into your vehicle's 12V power source and then use the USB-A port to connect your charge cable (sold separately). Installation of CAFIQC3 is simple and includes short circuit and overcharge protection; however, it is strongly recommended that you have knowledge of your vehicle's operation before installing. Note: if using CAFIQC3 on electric forklifts with 36/48 Volt power, a voltage reducer (not included) should be used.

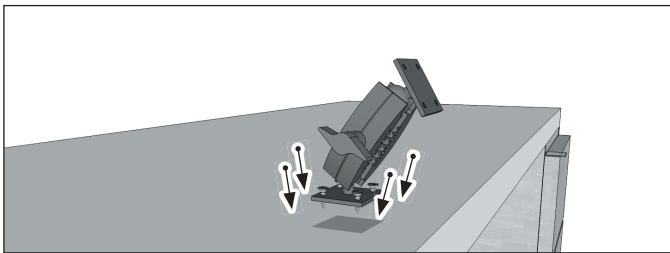
CAUSBMC3 is ideal for charging Micro USB-compatible smartphones or other devices.

**Device Compatibility:** Fits 7"-10" screen size tablets

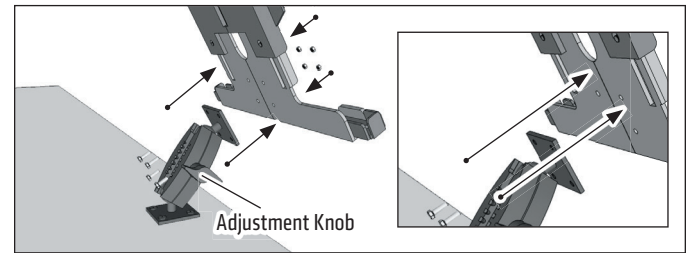
**Tools Needed:** 7mm and 10mm socket wrenches

**Mounting Base & Holder**

- 1 Using a screwdriver and/or drill, attach the metal AMPS mounting base to a flat surface with 4 screws (not included).

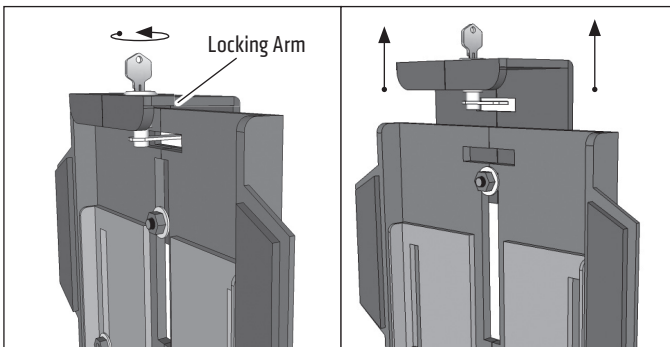


- 2 Connect the tablet holder to the mounting base (screws provided) using the 4-Hole AMPS mounting pattern. Loosen adjustment knob to reposition shaft, retighten to desired position.

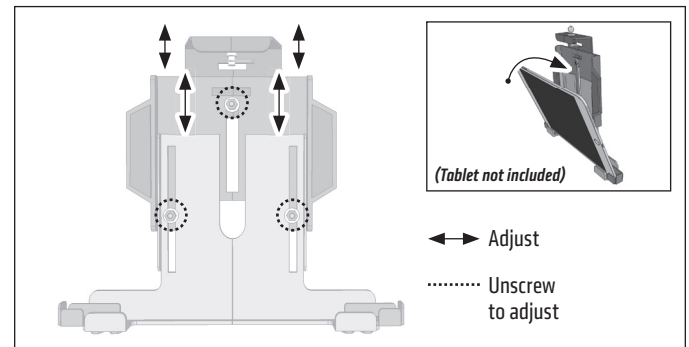


**Inserting Tablet**

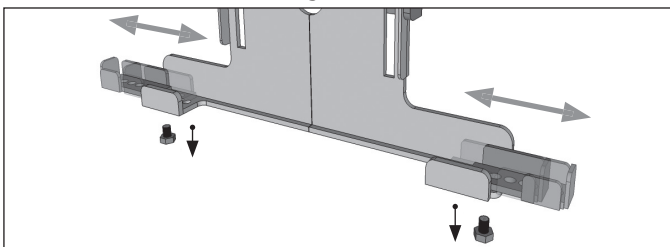
- 1 To size the tablet holder to your tablet, begin by unlocking the top of the tablet holder with the key and push up on the locking arm.



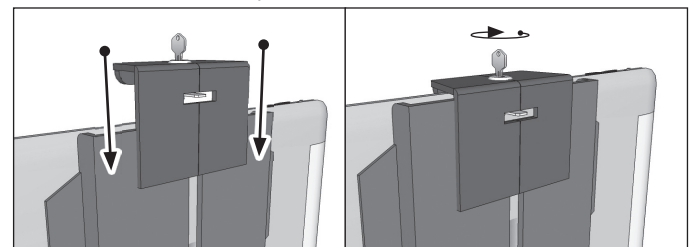
- 2 Unscrew the three screws/washers at the back/center of the holder to adjust the tablet holder's height to the tablet (not included). Retighten the screws/washers to secure.



- 3 Unscrew the screws at the bottom sides of the holder to adjust the tablet holder's width to the tablet. Tighten to secure.



- 4 To lock down tablet, close down on the locking arm on the top of the tablet and lock with key (included).



**Safety Precautions**

Arkon is not responsible for any damages caused to your device or yourself due to the installation or use of this mount.



The Mobile Mounting Specialists™

Consumer Hotline:  
 USA (800) 841-0884  
 INT'L (626) 254-9005  
 Monday - Friday 9 am - 5 pm, PST

www.arkon.com  
 Arcadia, CA 91006 USA  
 Designed in USA | Made in Taiwan  
 © Copyright 2017 Arkon Resources, Inc.