



TAB005KL-B



SPTAB5KL



SPHD6SHKIT



HD006AMPS

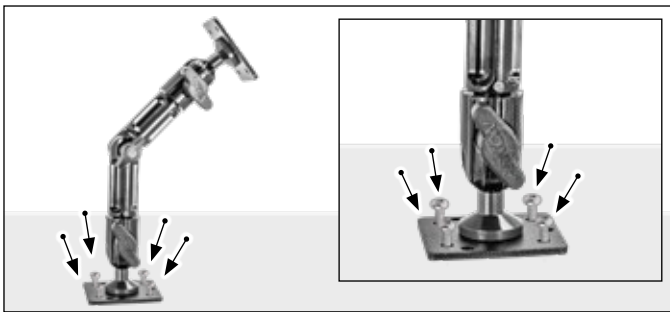
Package Contents:

- (1) TAB005KL-B – Universal Locking Tablet Holder with Key Lock and Key
- (1) SPTAB5KL – Hex Security Screw Pack (1-Hex Key, 4-Hex Screw)
- (1) HD006AMPS – 6" Heavy-Duty Aluminum Wall or Flat Surface Mount
- (1) SPHD6SHKIT – Security Kit for HD006

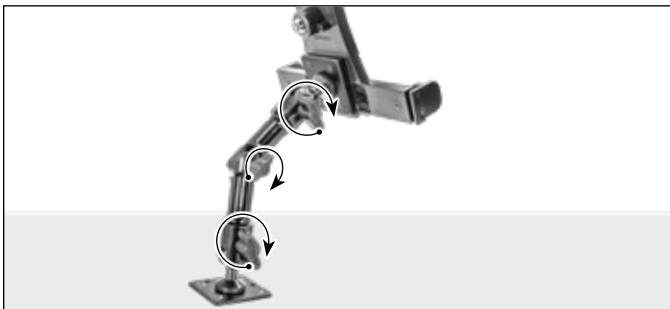
Device Compatibility: Fits 7"-10" screen size tablets

Tools Needed: Phillips screwdriver, 7mm and 10mm socket wrenches

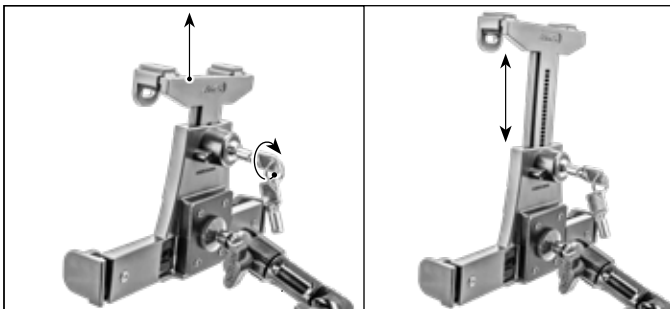
- 1** Screws of 2 lengths and anchors are included. Use appropriate screws to secure mount to mounting surface. Use anchors if necessary.



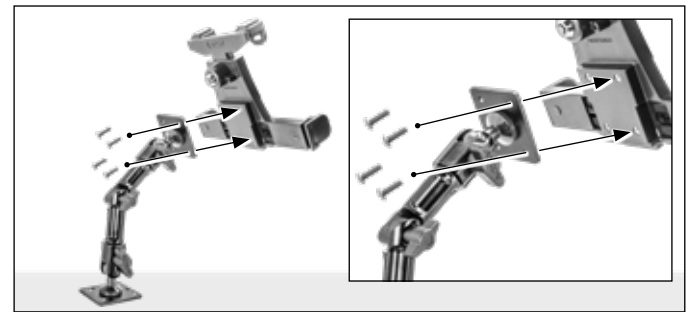
- 3** Adjust mount to desired position via the adjustment knobs.



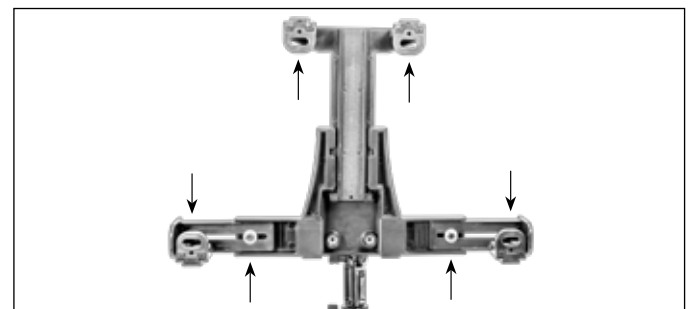
- 5** Insert key into back lock and turn right to unlock. Pull up on top adjusting arm to prepare for fitting the tablet.



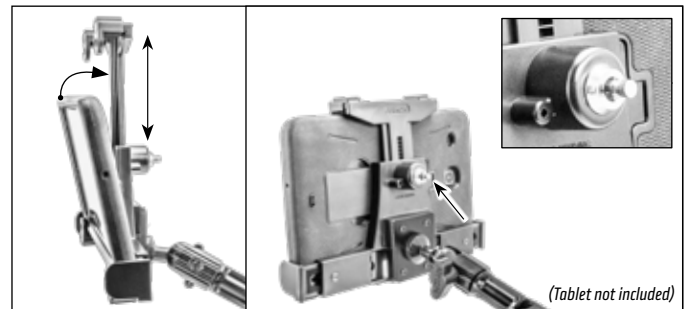
- 2** Attach the tablet holder to the mounting base (hex screws provided) using the 4-Hole AMPS mounting pattern.



- 4** Use Phillips screwdriver to adjust sides and width of holder to fit tablet. There are 6 screw adjustment points in total.



- 6** Insert tablet into holder. Adjust top of holder to fit tablet. Push button in on back lock to secure tablet.



(Tablet not included)



Safety Precautions

Arkon is not responsible for any damages caused to your device, your vehicle, your passengers, or yourself due to the installation or use of this mount.

ARKON MOUNTS

Consumer Hotline:

USA (800) 841-0884

INT'L (626) 254-9005

Monday - Friday 9 am - 5 pm, PST

www.arkon.com

Arcadia, CA 91006 USA

Designed in USA | Made in Taiwan

© Copyright 2018 Arkon Resources, Inc.