



TAB005KL-B



SPTAB5KL



RMS2XAMPS-MET-SH

**Package Contents:**

- (1) TAB005KL-B – Universal Locking Tablet Holder with Key Lock and Key
- (1) SPTAB5KL – Hex Security Screw Pack (1-Hex Key, 4-Hex Screw)
- (1) RMS2XAMPS-MET-SH – Small Robust 4-Hole AMPS Mount with 4-Hole AMPS Base and Security Hardware

**Device Compatibility:** Fits 7"-10" screen size tablets

**Tools Needed:** Phillips screwdriver, 7mm and 10mm socket wrenches

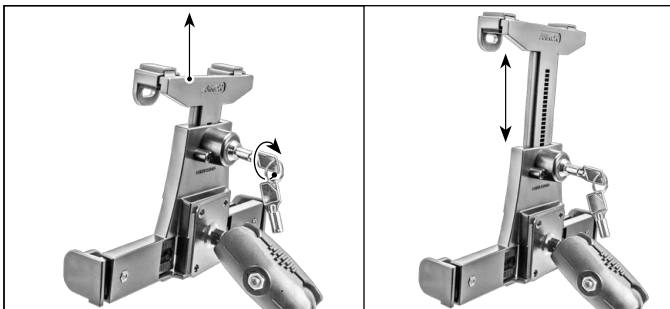
- 1** Using a screwdriver and/or drill, attach the metal AMPS mounting base to a flat surface with 4 screws (not included).



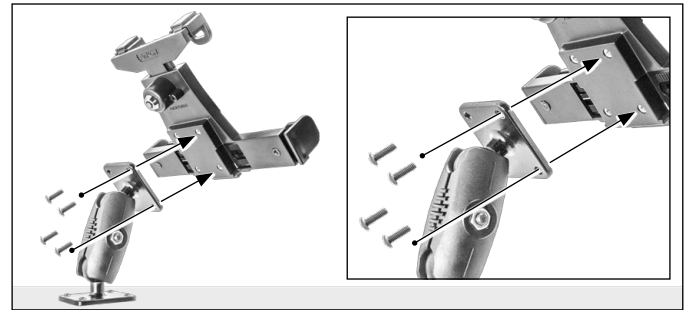
- 3** Loosen adjustment knob with included hex key to reposition shaft, retighten to desired position. Optional knob included.



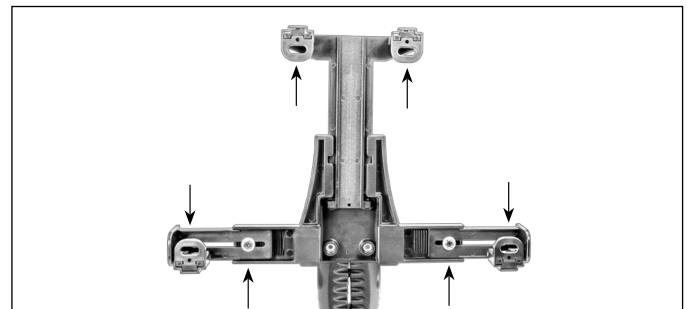
- 5** Insert key into back lock and turn right to unlock. Pull up on top adjusting arm to prepare for fitting the tablet.



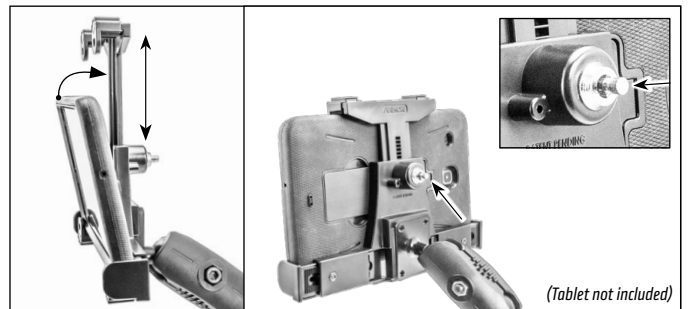
- 2** Attach the tablet holder to the mounting base (screws provided) using the 4-Hole AMPS mounting pattern.



- 4** Use Phillips screwdriver to adjust sides and width of holder to fit tablet. There are 6 screw adjustment points in total.



- 6** Insert tablet into holder. Adjust top of holder to fit tablet. Push button in on back lock to secure tablet.



(Tablet not included)



**Safety Precautions**

Arkon is not responsible for any damages caused to your device, your vehicle, your passengers, or yourself due to the installation or use of this mount.

**ARKON MOUNTS**

Consumer Hotline:

USA (800) 841-0884

INT'L (626) 254-9005

Monday - Friday 9 am - 5 pm, PST

[www.arkon.com](http://www.arkon.com)

Arcadia, CA 91006 USA

Designed in USA | Made in Taiwan

© Copyright 2018 Arkon Resources, Inc.