



HM009B



TAB005KL



APMAMPS25MM



SPRMSMET-B



SP-RMSH-KIT



SP-12M-4M7

Package Contents:

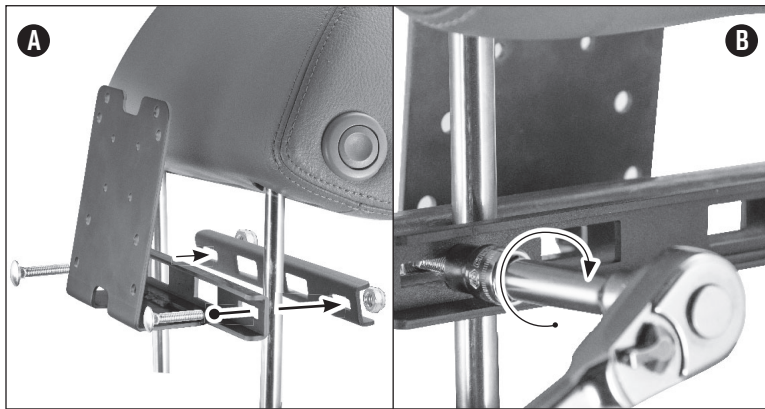
- (1) HM009B – Taxi Headrest Mount
- (1) TAB005KL – Universal Plastic Locking Tablet Holder
- (1) SPRMSMET-B – Small Metal Robust Mount Shaft Arm
- (2) APMAMPS25MM – Metal 25mm Ball to 4-Hole AMPS Adapter
- (1) SP-RMSH-KIT – Robust Mount Shaft Arm Security Hardware
- (1) SP-12M-4M7 – Screw Pack

Headrest Compatibility: Compatible with headrests having a 2-post configuration.

Device Compatibility: Fits 7"-10" screen size tablets

Tools Needed: 10mm socket wrench, Phillips screwdriver

1 **A** Separate the headrest mount bracket, and place on 2-post headrest. **B** Use a 10mm socket wrench to tighten the bolts.

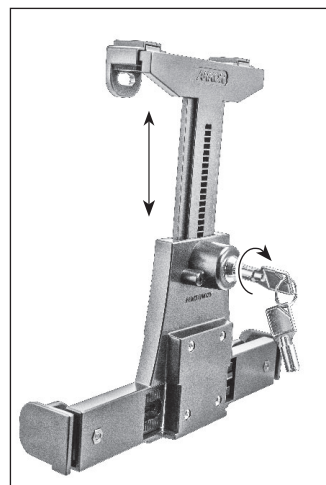
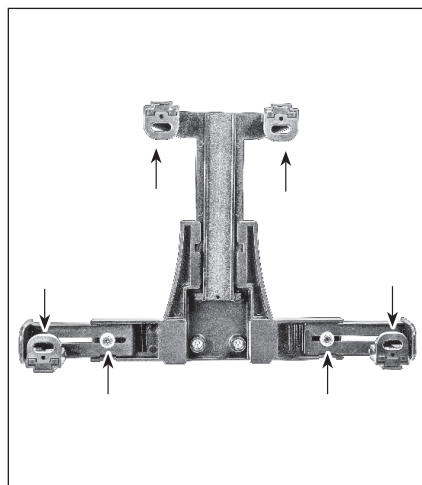


2 Attach the tablet holder and metal shaft to the headrest mount with the provided screws.

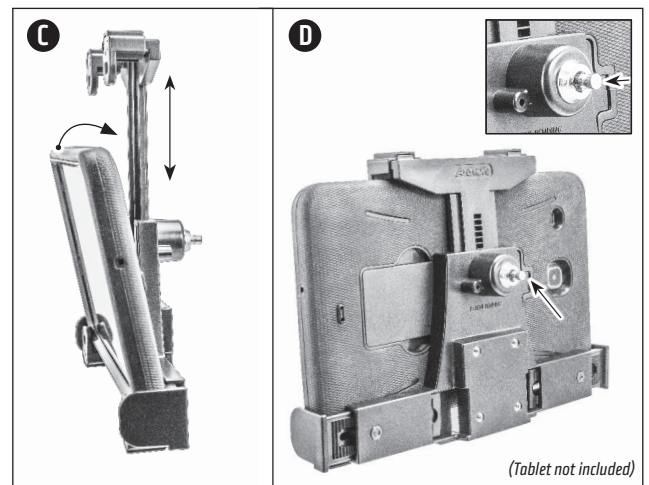


3 Use Phillips screwdriver to adjust sides and width of holder to fit tablet. There are 6 screw adjustment points in total.

4 Insert key into back lock and turn right to unlock. Pull up on top adjusting arm to prepare for fitting the tablet.



5 **C** Insert tablet into holder. Adjust top of holder to fit tablet. **D** Push button in on back lock to secure tablet.



(Tablet not included)



Safety Precautions

Arkon is not responsible for any damages caused to your vehicle, your device, your passengers, or yourself due to the installation or use of this mount.

ARKON MOUNTS

Consumer Hotline:

USA (800) 841-0884

INT'L (626) 254-9005

Monday - Friday 9am - 5pm, PST

www.arkon.com

Arcadia, CA 91006 USA

Designed in USA | Made in USA

© Copyright 2020 Arkon Resources, Inc.