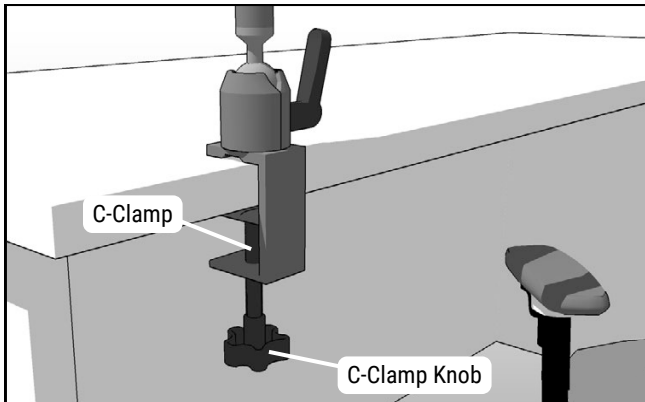


1 Place the Mount

Open the C-clamp on the bottom of the mount by turning the clamp knob counterclockwise. Tighten the clamp knob to secure on mounting area.



Package Contents:

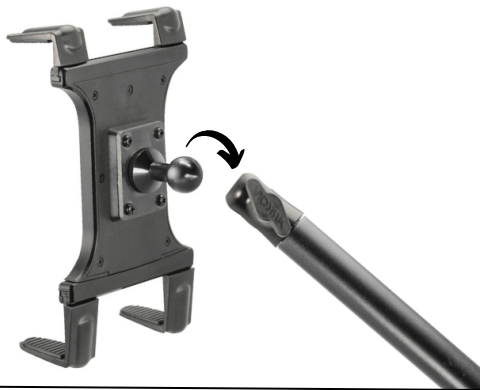
- 1 - 22" Heavy-Duty Aluminum C-Clamp Mount (HD002NHB)
- 1 - Slim-Grip® Universal Tablet Holder with 20mm Metal Ball (TAB1MAMPS20B)



The Slim-Grip Universal Tablet Holder fits all tablets with 7" - 18.4" screen size. It includes 4 short, 2 medium, and 4 long support legs. Select a combination of 4 support legs in conjunction for use with the spring-loaded holder to achieve the perfect fit for your tablet.

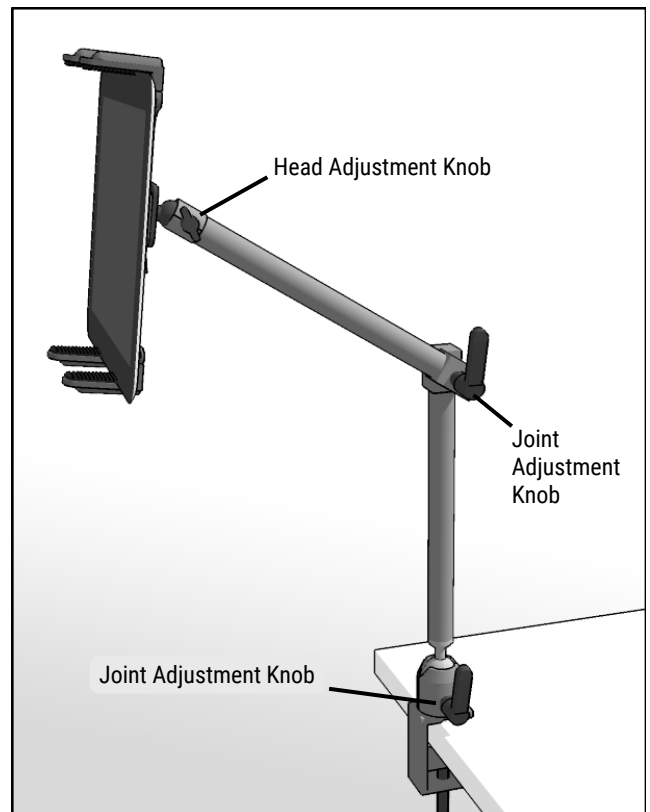
2 Attach the Holder

To attach the tablet holder to the C-clamp mount, you will need to first loosen the knob on the pole. Then, insert the 20mm ball into the knob and make sure it is securely in place. Then, turn the knob clockwise to tighten it and ensure that the tablet holder is firmly attached to the mount.



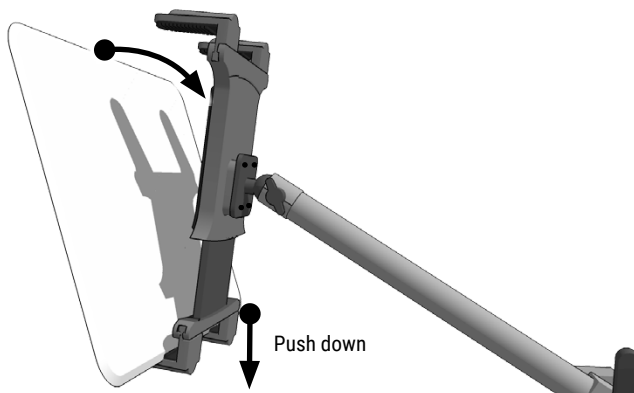
4 Adjust the Mount

Adjust the C-clamp mount position by loosening the joint adjustment knobs and retightening in the desired position.



3 Mount a Tablet

Insert tablet into holder by pushing down on the bottom spring-loaded support legs with the tablet. Slide the top of the tablet under the top support legs until it fits snugly in the holder.



Safety Precautions

Do not install Arkon products over an air bag cover or within the air bag deployment zone. Arkon Resources, Inc. assumes no responsibility of liability for injury or death as a result of car crashes and / or air bag deployment.

Arkon is not responsible for any damages caused to your car, your device, or yourself due to the installation or use of this pedestal mount.

ARKON
RESOURCES INC.

The Mobile Mounting Specialists™

Consumer Hotline:
USA (800)841-0884
INT'L (626)254-9005
Monday - Friday 9am - 5pm. PST

www.arkon.com
Arcadia, CA 91006 USA
Made in Taiwan

© Copyright 2023 Arkon Resources, Inc.