

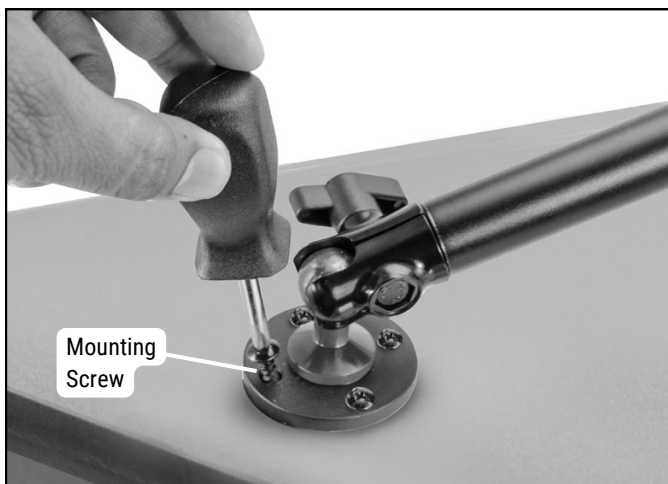
Package Contents:

- 1 - 10" Heavy-Duty Aluminum Mount with 4-Hole Drill Base (HD005NHB)
- 1 - Slim-Grip® Universal Tablet Holder with 20mm Ball Adapter (TAB1MAMPS20B)

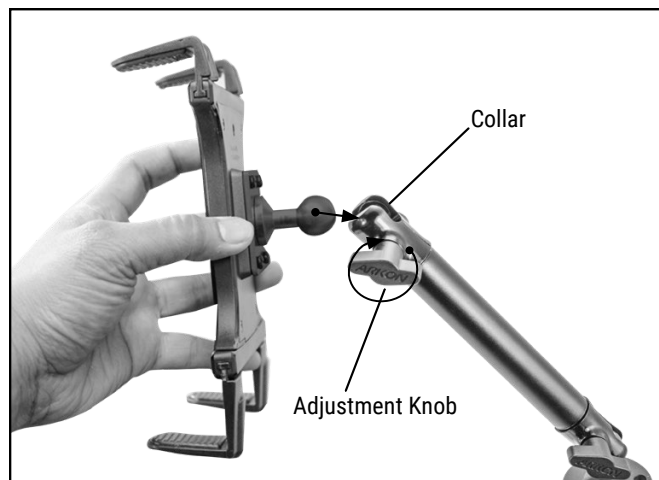
The Slim-Grip® Universal Tablet Holder fits all tablets with 7" - 18.4" screen size. It includes 4 short, 2 medium, and 4 long support legs. Select a combination of 4 support legs in conjunction for use with the spring-loaded holder to achieve the perfect fit for your tablet.

IMPORTANT: This is a spring-loaded holder. After selecting and installing the support legs that will fit your tablet, push down on the lower legs to engage the spring-loaded holder and mount your device.

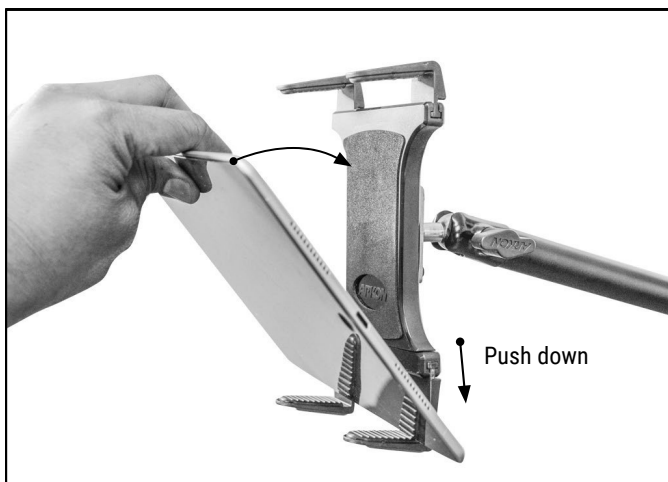
- 1 Tighten the 4 screws through the drill base holes into the mounting surface. You may need to first drill pilot holes and/ or insert screw anchors (not included) depending on the mounting surface.



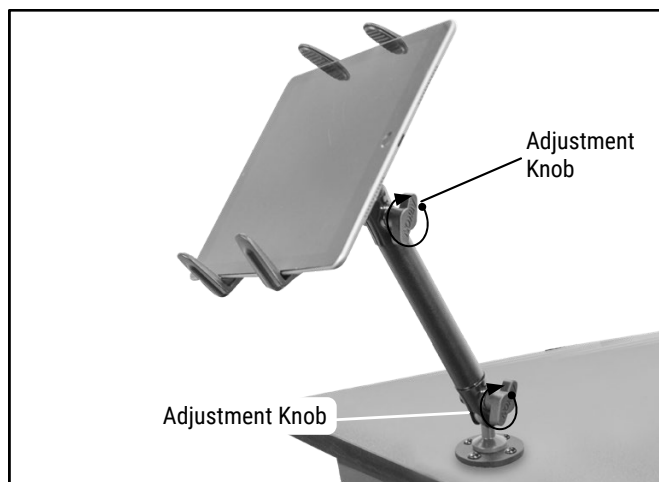
- 2 Attach holder to the mount by inserting the holder's 20mm ball into the mount's collar. Tighten knob to secure.



- 3 Insert tablet into holder by pushing down on the bottom spring-loaded support legs with the tablet. Slide the top of the tablet under the top support legs until it fits snugly in the holder.



- 4 Adjust the mount position by loosening the adjustment knobs and retightening in the desired position.



WARNING
CHOKING HAZARD - Keep out of reach from children under 8 yrs. as they can choke or suffocate on parts included with this system

WARNING
Arkon® is not responsible for any damages caused to your device or yourself due to the installation or use of this mount. Do not install Arkon® products near areas that interfere with operation of vehicles. Arkon® assumes no responsibility or liability for injury or death as a result of failure to install in a safe location. Arkon® is not responsible for any damages caused to vehicles, product, or people due to the installation or use of this product.

