

Package Contents:

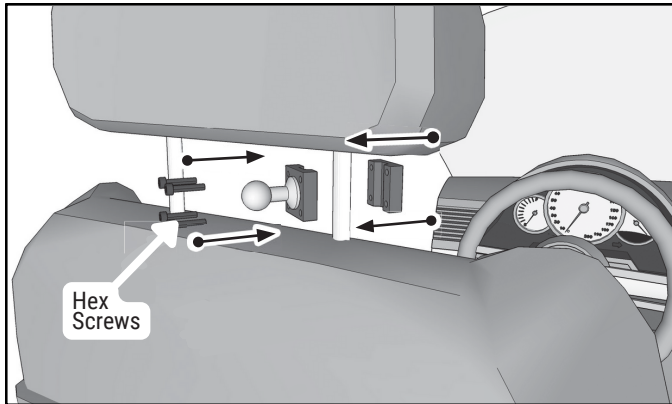
- 1 - Slim-Grip® Universal Tablet Holder with Support Legs (TAB001)
- 1 - Headrest Mounting Pedestal with 10" Arm (HMHD005)

Clamp fits .31"-.63" (8mm-16mm) diameter posts.

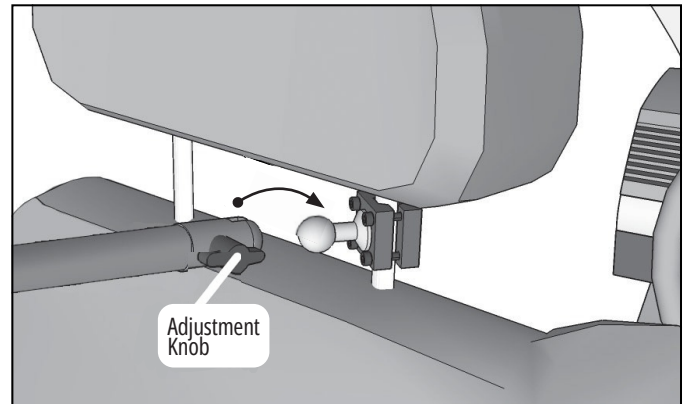
Note: This is a spring-loaded tablet holder. Multiple adjustment leg sizes are included with this system to accommodate various tablet dimensions. Please refer to the guide below for recommended leg installation.

IMPORTANT: Clamp may not fit all headrest types. Please consult your vehicle's user manual for compatibility.

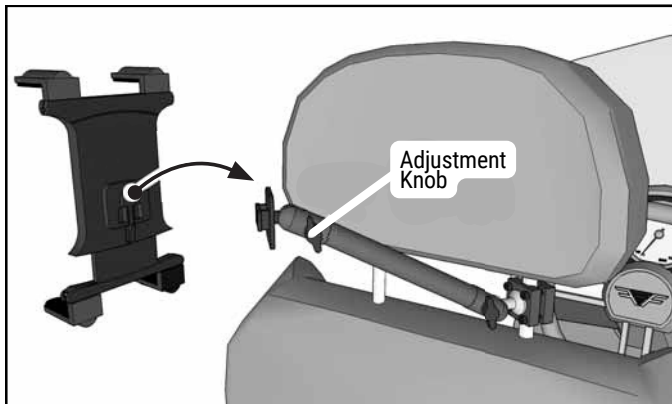
- 1 Removing the Arm from the Clamp**
To remove the arm from the clamp, begin by turning the knob counter-clockwise. After that, install the clamp on the headrest, and using the hex key provided, fasten the four hex screws securely to mount the clamp onto the post.



- 2 Reattaching the Arm and Adjusting the Pedestal**
Insert the arm back into the clamp. After that, adjust the pedestal to your preferred angle. Finally, tighten the knob securely to ensure everything stays in place.



- 3 Attaching the Tablet Holder to the Mount**
Insert the Dual T-Tabs into the holder's Dual T-Slots. Then, push down to lock the holder into place. Loosen the adjustment knob to set your desired position. Retighten the knob to secure the holder in place.



- 4 How to Insert Your Tablet into the Holder**
Push down on the bottom spring-loaded support legs with the tablet. Then, slide the top of the tablet under the top support legs and ensure that the tablet fits snugly into the holder.

