

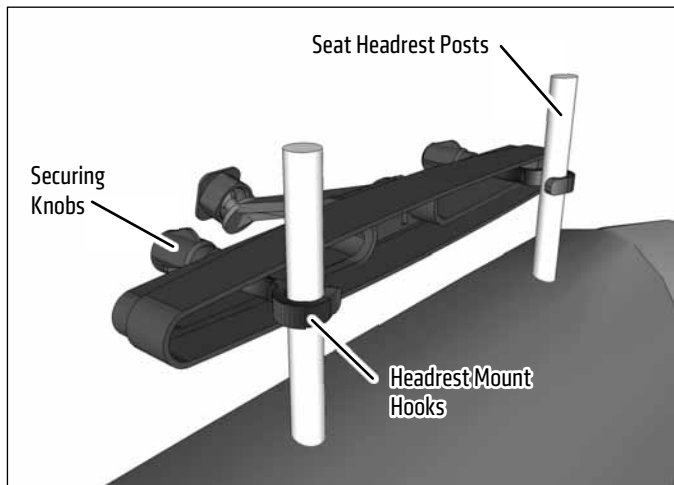


TABPBHM7

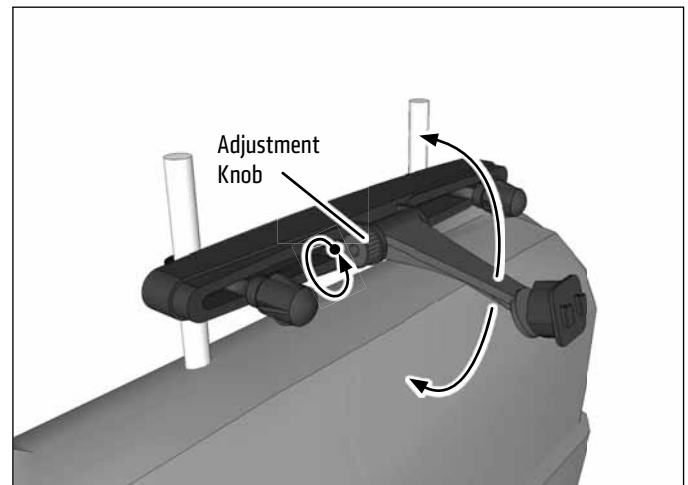
**Package Contents:**

- (1) HM007-SBH – Car Headrest Mounting Pedestal with Adjustable Arm
- (1) TAB003 – Universal Tablet Push-Button Holder

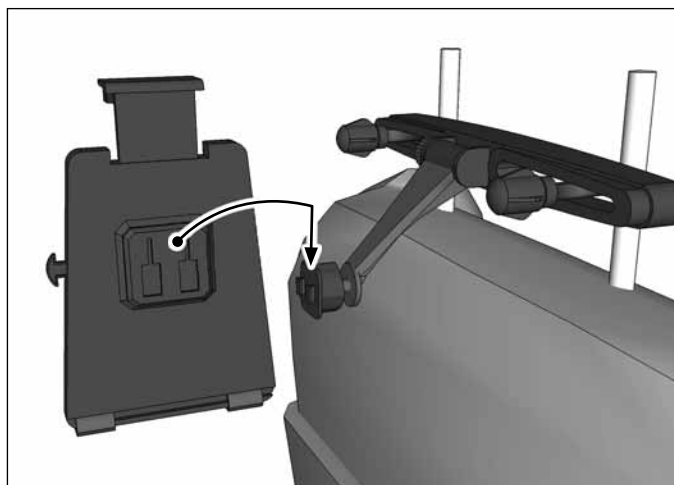
- 1** Raise the vehicle's headrest and place the headrest mount hooks around the headrest posts. Tighten the securing knobs.



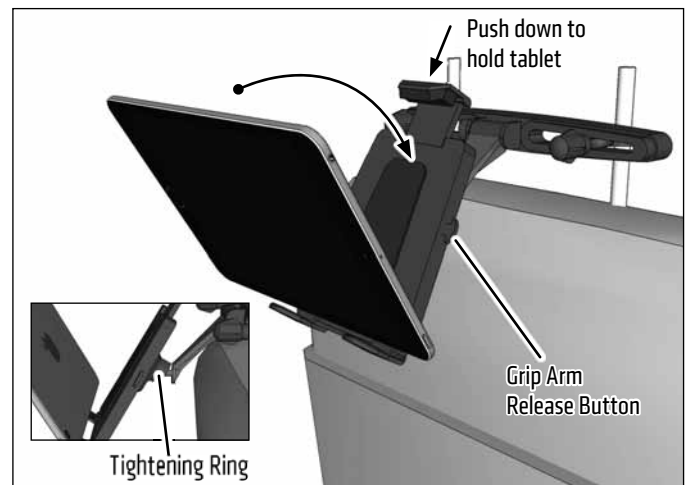
- 2** Loosen adjustment knob to reposition mount arm. Retighten to set.



- 3** Attach tablet holder by sliding the Dual T-Tabs into the Dual T-Slots.



- 4** Place tablet on support legs, push down firmly on grip arm to hold tablet. Adjust the mount to desired position; release tablet by pushing the grip arm release. Loosen tightening ring to adjust rotation, position, or angle. Retighten to set.



**! Safety Precautions**

Do not install Arkon products over an air bag cover or within the air bag deployment zone. Arkon Resources, Inc. assumes no responsibility of liability for injury or death as a result of car crashes and / or air bag deployment.

Arkon is not responsible for any damages caused to your car, your device, or yourself due to the installation or use of this pedestal mount.



The Mobile Mounting Specialists™

**Consumer Hotline:**

USA (800) 841-0884

INT'L (626) 254-9005

Monday - Friday 9 am - 5 pm, PST

[www.arkon.com](http://www.arkon.com)

Arcadia, CA 91006 USA

Designed in USA | Made in Taiwan

© Copyright 2016 Arkon Resources, Inc.