

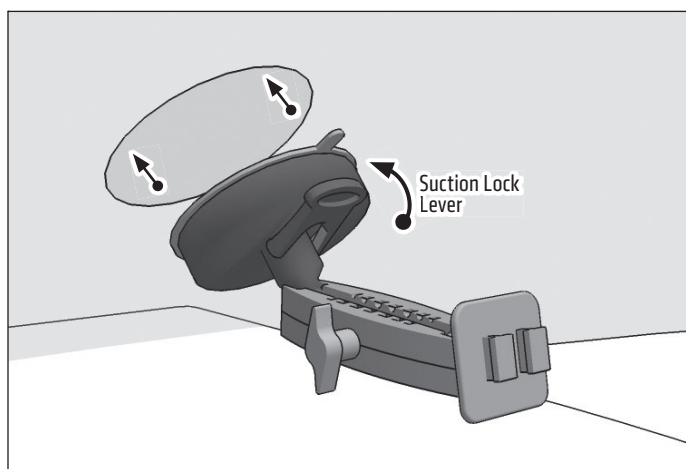


**Package Contents:**

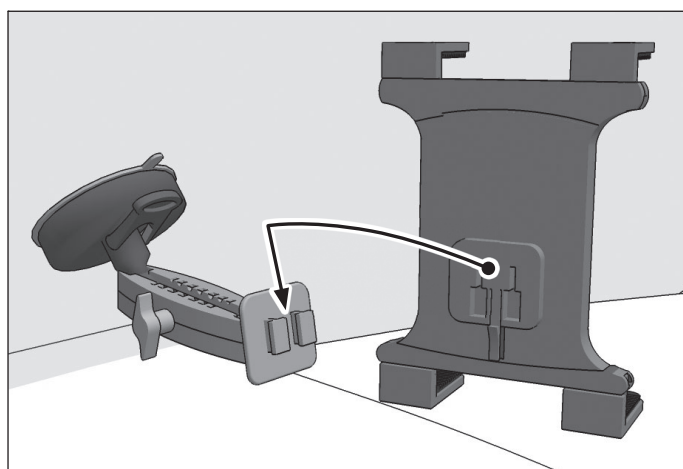
- (1) RM0792T – Sticky Suction Windshield or Dash Mounting Pedestal
- (1) TAB001 – Slim-Grip® Universal Tablet Holder
- (1) AP020 – Optional 90mm Adhesive Dash Mounting Disk

**IMPORTANT:** The Slim-Grip Universal Tablet Holder fits all tablets with 8.9" - 18.4" screen size. It includes 4 short, 2 medium, and 4 long support legs. Select a combination of 4 support legs in conjunction for use with the spring-loaded holder to achieve the perfect fit for your tablet.

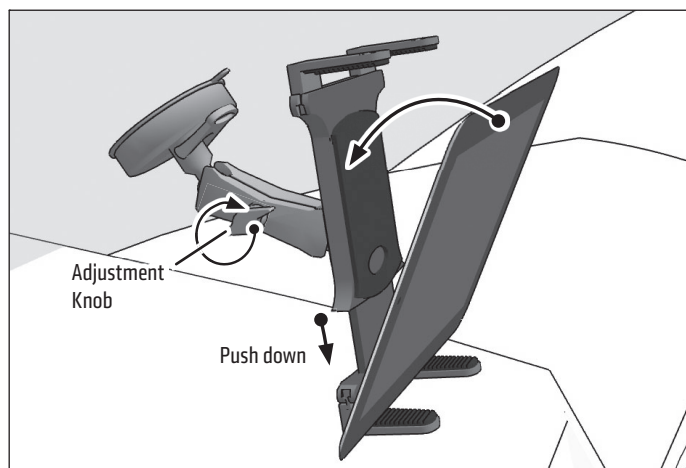
**1** Attach pedestal to windshield, engage suction lock lever to secure.



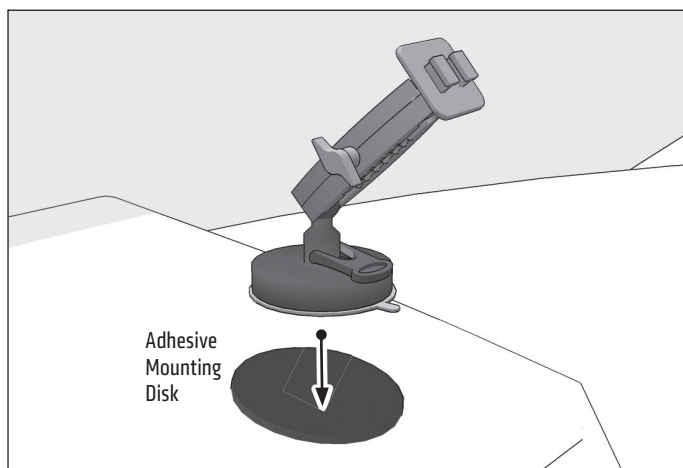
**2** Attach Slim-Grip tablet holder by sliding the Dual T-Tabs of the pedestal head into the Dual T-Slots of the holder.



**3** Insert tablet by placing it on the two lower legs and pushing down on the spring-loaded bottom of the holder. Loosen adjustment knob to adjust rotation, position, or angle. Retighten to set.



**OPTIONAL:** For dashboard mounting, use included adhesive disk. Clean surface before applying and let dashboard disk adhesive cure for 24 hours before use.



**! Safety Precautions**

Do not install Arkon products over an air bag cover or within the air bag deployment zone. Arkon Resources, Inc. assumes no responsibility of liability for injury or death as a result of car crashes and/or air bag deployment.

Arkon is not responsible for any damages caused to your vehicle, your device, or yourself due to the installation or use of this mount.

**ARKON MOUNTS**

Consumer Hotline:

USA (800) 841-0884

INT'L (626) 254-9005

Monday - Friday 9am - 5pm, PST

[www.arkon.com](http://www.arkon.com)

Arcadia, CA 91006 USA

Designed in USA | Made in China

© Copyright 2019 Arkon Resources, Inc.