

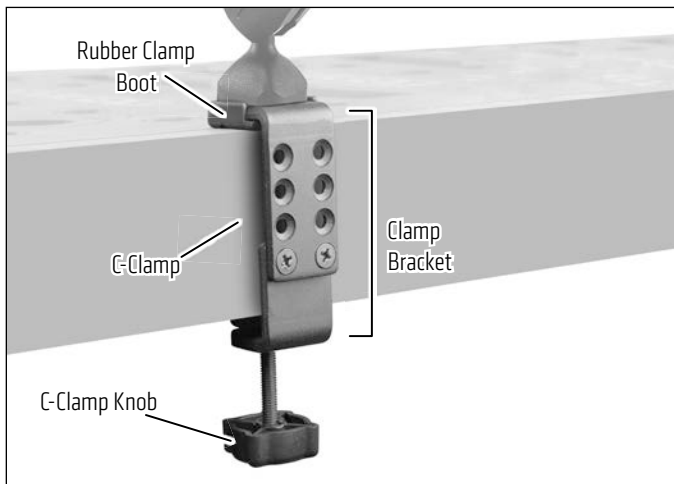


**Package Contents:**  
 (1) TAB001 - Slim-Grip® Universal Tablet Holder  
 (1) RM0862T - Heavy-Duty Mounting Pedestal with C-Clamp Base  
 (1) OPTIONAL - Rubber Clamp Boot

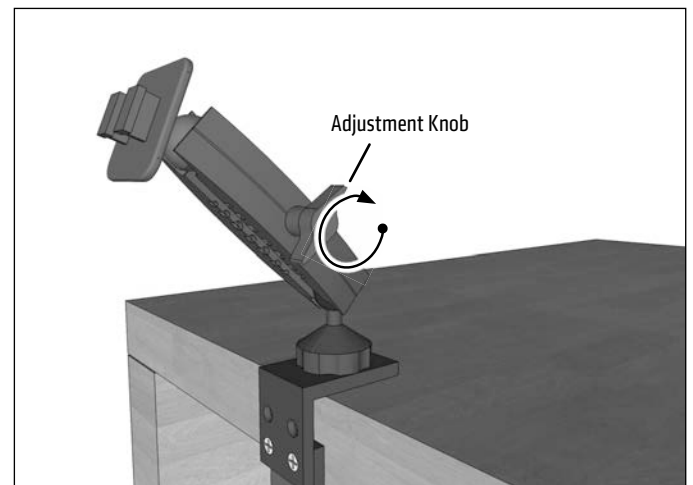
**Device Compatibility:** The Slim-Grip Universal Tablet Holder fits all tablets with 7" - 18.4" screen size. It includes 4 short, 2 medium, and 4 long support legs. Select a combination of 4 support legs in conjunction for use with the spring-loaded holder to achieve the perfect fit for your tablet.

**NOTE:** Clamp opening: 0" - 3" (0mm - 76mm)

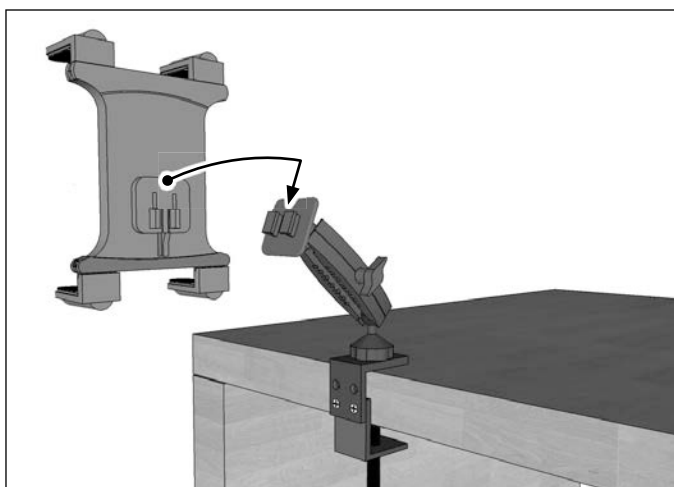
- 1 Attach mount to surface by tightening C-Clamp knob; adjust the clamp bracket if necessary with a Phillips screwdriver. Slide optional rubber clamp boot onto the top of the mount's clamp to prevent scratching clamp surface if desired.



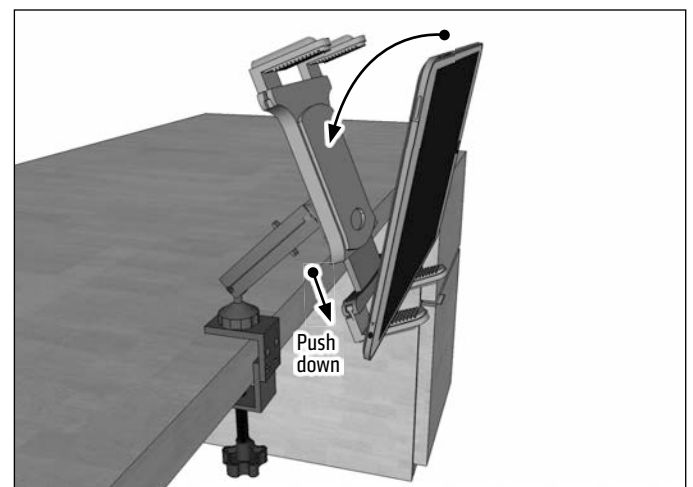
- 2 Loosen adjustment knob to adjust position. Retighten to set to desired angle.



- 3 Attach tablet holder by sliding the Dual T-Tabs into the Dual T-Slots.



- 4 Insert tablet by placing it on the two lower legs and pushing down on the spring-loaded bottom of the holder. Loosen adjustment knob to adjust rotation, position, or angle. Retighten to set.



**⚠ Safety Precautions**

Arkon is not responsible for any damages caused to your vehicle, your device, or yourself due to the installation or use of this mount.

**ARKON® MOUNTS**

**Consumer Hotline:**  
 USA (800) 841-0884  
 INT'L (626) 254-9005  
 Monday - Friday 9 am - 5 pm, PST

**www.arkon.com**  
 Arcadia, CA 91006 USA  
 Designed in USA | Made in Taiwan  
 © Copyright 2021 Arkon Resources, Inc.