



APAMP517MM



SP-SBH-KIT



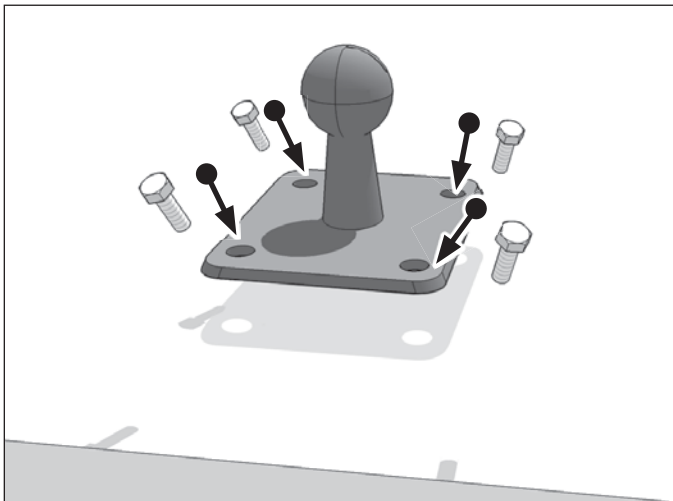
SP-12M-4M7

Package Contents:

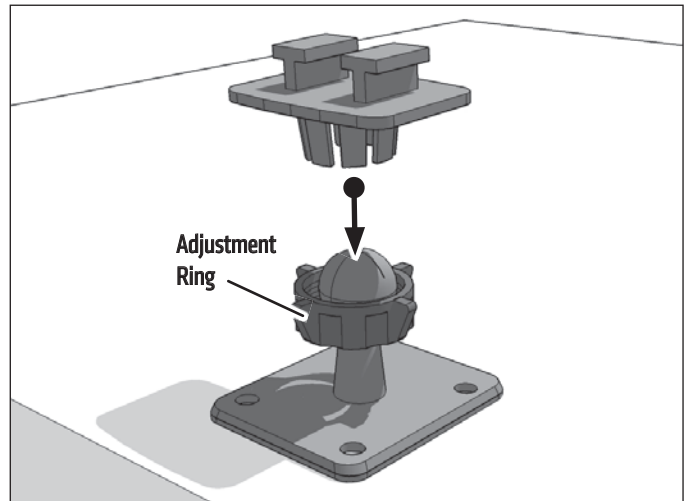
- (1) APAMP517MM – 4-Hole AMPS to 17mm Ball Adapter
- (1) SP-SBH-KIT Dual T-Tab Head with Adjustment Ring
- (1) SP-12M-4M7 – Screw / Nut 4-Pack

Compatible with most Arkon Dual-T smartphone holders, including SM060-2 (Slim-Grip® Ultra™ Universal Smartphone Holder) and SM040-2 (Mega Grip Universal Smartphone Holder).

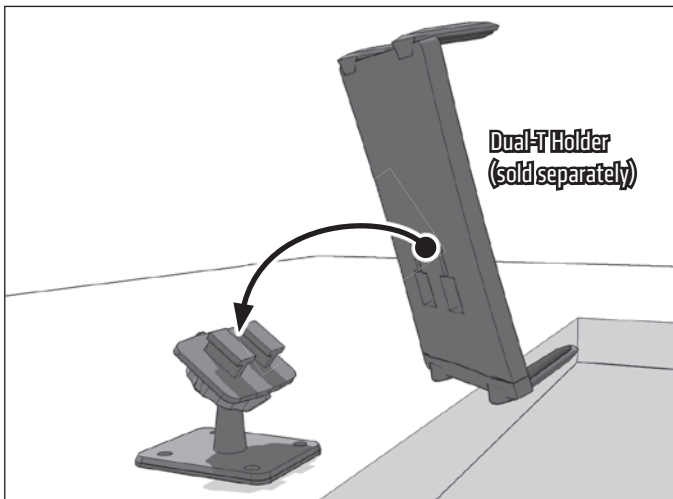
- 1 Attach adapter plate by drilling screws into a solid, flat surface.



- 2 Place adjustment ring over the 17mm pedestal ball. Snap the Dual-T adapter onto the mount ball. Tighten adjustment ring to set position.



- 3 Attach a Dual-T holder (not included, sold separately) by sliding the Dual T-Tabs into the Dual T-Slots on the holder.



Safety Precautions

Do not install Arkon products over an air bag cover or within the air bag deployment zone. Arkon Resources, Inc. assumes no responsibility of liability for injury or death as a result of car crashes and / or air bag deployment.

Arkon is not responsible for any damages caused to your vehicle, your device, or yourself due to the installation or use of this mount.

ARKON
RESOURCES INC.

The Mobile Mounting Specialists™

Consumer Hotline:

USA (800) 841-0884

INT'L (626) 254-9005

Monday - Friday 9am - 5pm, PST

www.arkon.com

Arcadia, CA 91006 USA

Designed in USA | Made in Taiwan

© Copyright 2016 Arkon Resources, Inc.