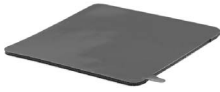




APAMPS17MM



VHB Tape



SP-12M-4M7



SP-SB-AMPS



SP-SB-1T-B

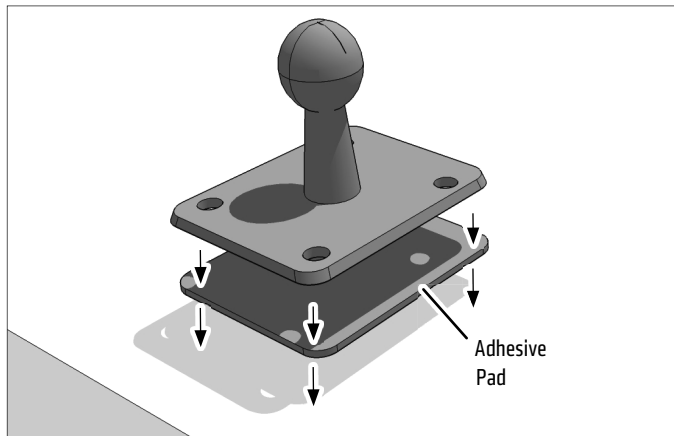


SP-SB-RING

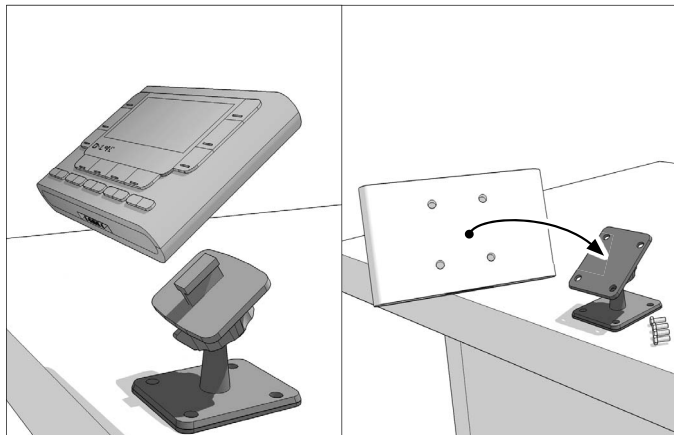
**Package Contents:**

- (1) APAMPS17MM – 4-Hole AMPS to 17mm Ball Head Adapter
- (1) SP-SB-RING - Swivel Tightening Ring
- (1) SP-12M-4M7 - Screw / Nut 4-Pack
- (1) SP-SB-1T-B - SBH to Single T-Tab Adapter
- (1) SP-SB-AMPS - SBH to 4-Hole AMPS Adapter
- (1) VHB Tape

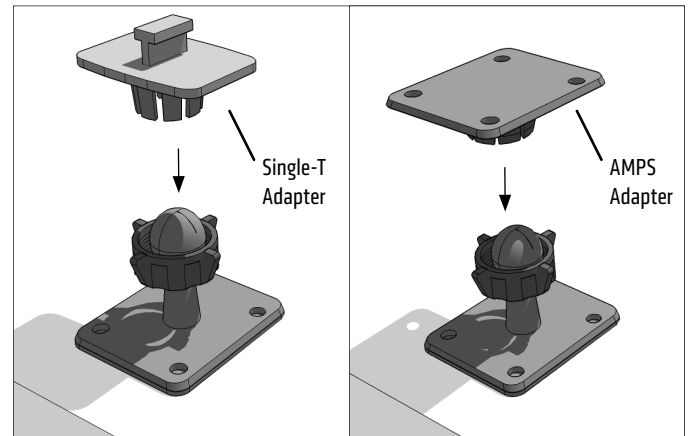
- 1** Attach adapter plate to a secure surface by adhering the included adhesive pad to the surface. Or, drill screws into a solid, flat surface for a more permanent solution.



- 3** For Single-T pattern devices, slide the Single T-Tab into the Single T-Slot. For AMPS pattern devices, use the included 4 screws to mount the device.



- 2** Place tightening ring over the pedestal ball. Snap either the Single-T adapter (for XM Satellite Radios) or the AMPS pattern adapter (for Sirius Satellite Radios) onto the mount ball depending on your device's mounting pattern. Tighten ring to set position.



**! Safety Precautions**

Arkon is not responsible for any damages caused to your vehicle, your device, or yourself due to the installation or use of this mount.

**ARKON**  
RESOURCES INC.

*The Mobile Mounting Specialists™*

Consumer Hotline:  
USA (800) 841-0884  
INT'L (626) 254-9005  
Monday - Friday 9 am - 5 pm, PST

[www.arkon.com](http://www.arkon.com)  
Arcadia, CA 91006 USA  
Designed in USA | Made in Taiwan  
© Copyright 2014 Arkon Resources, Inc.