

Includes:

- 1 - Slim Grip Ultra Pro Tablet Holder (TAB006AMPS)
- 1 - Clamp Mount w/25mm Ball (CPM01B)
- 1 - Robust™ Series 3.75 (SP-RM250)
- 1 - Metal 4-Hole AMPS to 25mm (APMAMPS25MM)

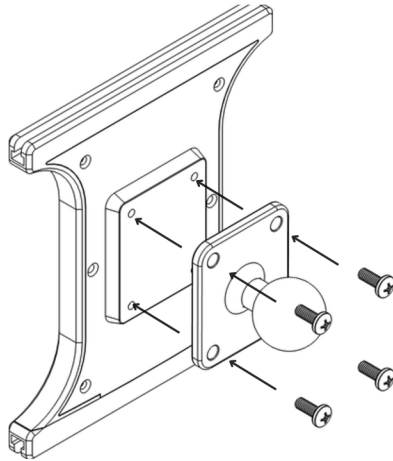
IMPORTANT:

To ensure a secure and stable installation, clean the mounting surface area thoroughly by removing all grease, dirt, and debris.

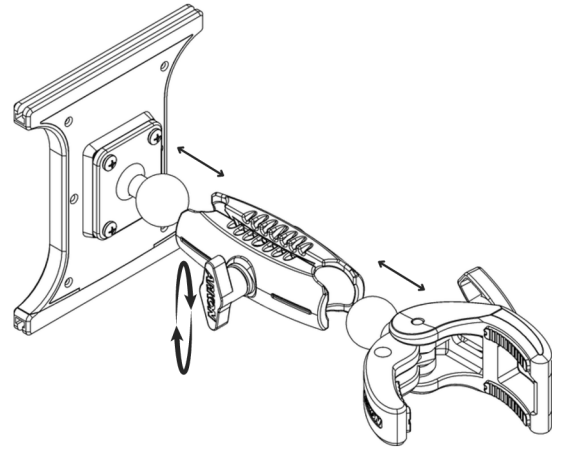
Please note the TAB006AMPS hardware specifications:

- 4 - M4 x 12mm Screws (Included)

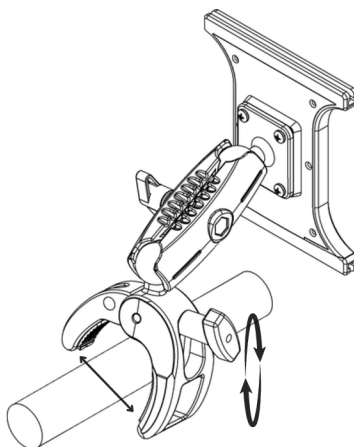
- 1 Assemble the AMPS mount to the tablet holder**
 Locate the AMPS mount with 25mm ball, the tablet holder, and provided installation screws. Hand tighten the screws to the back of the holder.



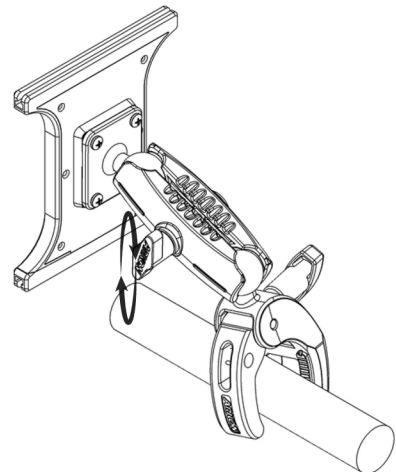
- 2 Assemble the components**
 Locate the 3.75" shaft and turn to the adjustment knob counterclockwise to expand. Insert the 25mm ball ends into the shaft. Turn clockwise to tighten.



- 3 Adjust the clamp and secure to the yoke**
 Loosely place the system onto the yoke shaft into the desired position. Turn the clamp adjustment knob over the yoke shaft.



- 4 Tighten the 3.75" shaft to secure your desired position**
 Once the clamp is secured, tighten the shaft to stabilize the position of the tablet holder.



WARNING

CHOKING HAZARD - Keep out of reach from children under 8 yrs. as they can choke or suffocate on parts included with this system

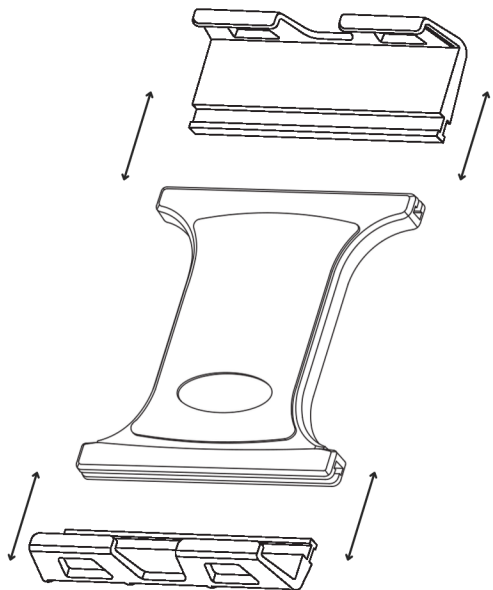
WARNING

Arkon® is not responsible for any damages caused to your device or yourself due to the installation or use of this mount. Do not install Arkon® products near areas that interfere with operation of vehicles. Arkon® assumes no responsibility or liability for injury or death as a result of failure to install in a safe location. Arkon® is not responsible for any damages caused to vehicles, product, or people due to the installation

Continued on page 2

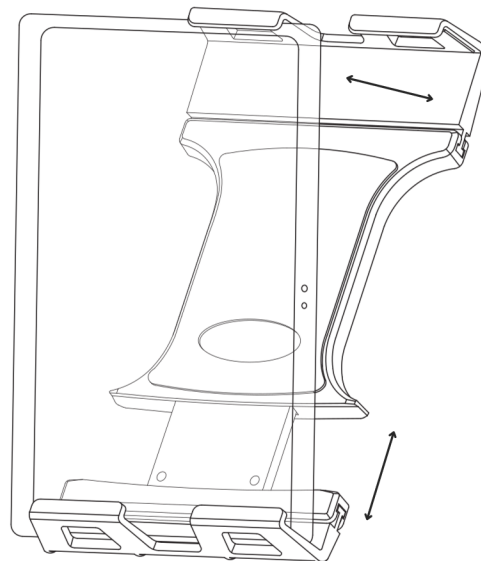
5 Install the legs onto the holder

Place the support legs as recommended. Then, insert the support legs into the designated channels on the holder.



6 Install tablet to ensure proper fit

Apply downward pressure with the tablet to extend the legs using the spring-loaded mechanism. Then, confirm that the tablet fits securely in the holder without any loose movement.



WARNING

CHOKING HAZARD - Keep out of reach from children under 8 yrs. as they can choke or suffocate on parts included with this system

WARNING

Arkon® is not responsible for any damages caused to your device or yourself due to the installation or use of this mount. Do not install Arkon® products near areas that interfere with operation of vehicles. Arkon® assumes no responsibility or liability for injury or death as a result of failure to install in a safe location. Arkon® is not responsible for any damages caused to vehicles, product, or people due to the installation or use of this product.

