

Includes:

- 1 - RoadVise® Ultra Holder (RVKNAMPS)
- 1 - Windshield Suction Base with 25mm Ball (SPRM081)
- 1 - Robust™ Series 2.75 inch Shaft Arm (SP-RMS250)
- 1 - Metal 4-Hole AMPS to 25mm Ball Adapter (APMAMPS25MM)

IMPORTANT:

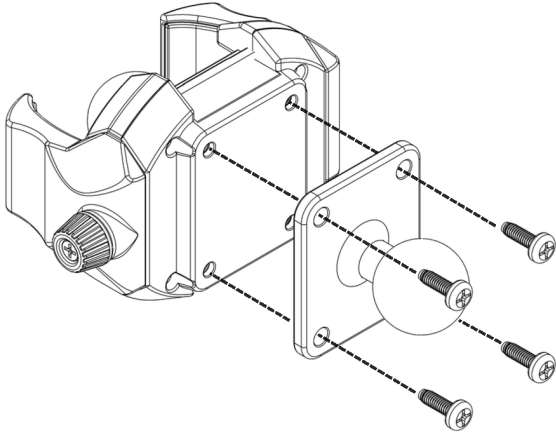
To ensure a secure and stable installation, clean the mounting surface area thoroughly by removing all grease, dirt, and debris.

Compatibility: This holder is suitable for smartphones and tablet with cases measuring up to 5.71" wide.

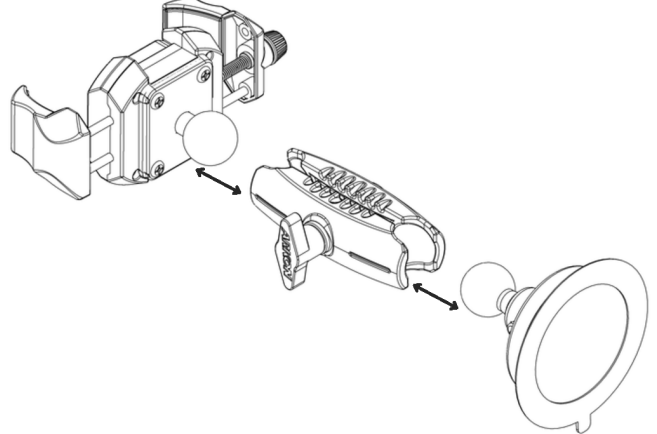
Please note the RVKNAMPS hardware specifications:

- 1 - 4 - M4 x 12mm Screws
- 2 - 3M Adhesive Strips
- 2 - Foam Pads

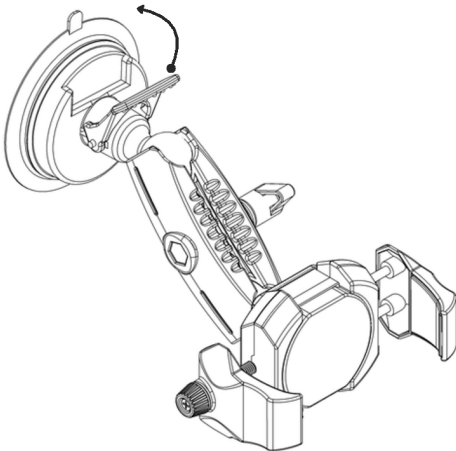
- 1 Assemble the AMPS mount to the phone holder**
 Locate the AMPS mount with 25mm ball, the phone holder, and provided installation screws. Hand tighten the screws to the back of the holder.



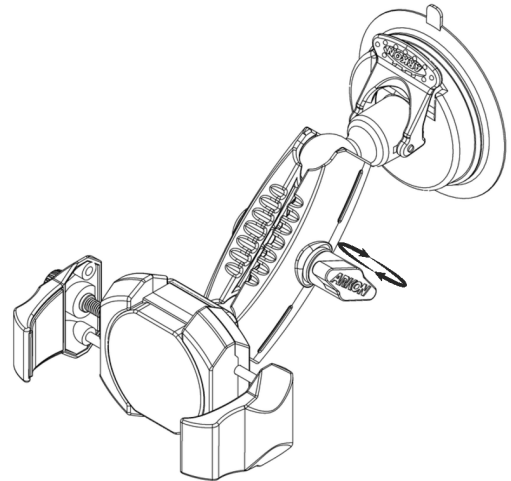
- 2 Assemble the components**
 Locate the 2.75" shaft and turn to the adjustment knob counterclockwise to expand. Insert the 25mm ball ends into the shaft. Turn clockwise to tighten.



- 3 Install the suction cup on surface**
 Install the suction cup base on a clean, dry, flat surface using provided alcohol pad. Remove protective film, press suction cup firmly, and secure by flipping the lever down.



- 4 Tighten the 2.75" shaft to secure your desired position**
 Once the suction base is secured, tighten the shaft to stabilize the desired position of the mount.



WARNING

CHOKING HAZARD - Keep out of reach from children under 8 yrs. as they can choke or suffocate on parts included with this system

WARNING

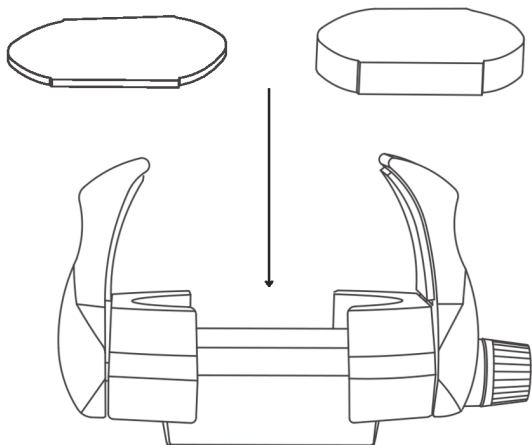
Arkon® is not responsible for any damages caused to your device or yourself due to the installation or use of this mount. Do not install Arkon® products near areas that interfere with operation of vehicles. Arkon® assumes no responsibility or liability for injury or death as a result of failure to install in a safe location. Arkon® is not responsible for any damages caused to vehicles, product, or people due to the installation

Continued on page 2



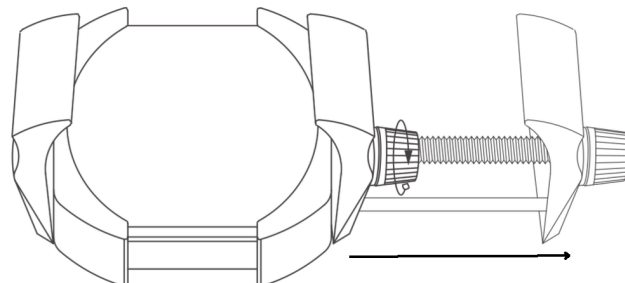
5 Install the foam paddings or adhesive strips

For non-MagSafe chargers, use the included foam paddings for a secure fit in the holder. For MagSafe chargers, apply the adhesive strips on the sides of charger for a secure hold.



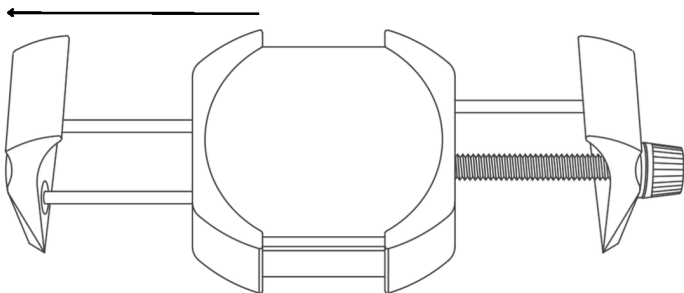
6 Adjust the RoadVise® Ultra holder

To extend the holder for larger devices, turn the center knob on the holder. This will lock the non-spring loaded arm in a secure position to support your device.



7 Install your device into the phone holder

Expand the spring-loaded arm as you insert your smartphone.



WARNING

CHOKING HAZARD - Keep out of reach from children under 8 yrs. as they can choke or suffocate on parts included with this system

WARNING

Arkon® is not responsible for any damages caused to your device or yourself due to the installation or use of this mount. Do not install Arkon® products near areas that interfere with operation of vehicles. Arkon® assumes no responsibility or liability for injury or death as a result of failure to install in a safe location. Arkon® is not responsible for any damages caused to vehicles, product, or people due to the installation or use of this product.

