

Includes:

- 1 – RoadVise® Ultra Holder (RVKNAMPS)
- 1 – Windshield Suction Base with 25mm Ball (SPRM081)
- 1 – Robust™ Series 2.75 inch Shaft Arm (SP-RMS250)
- 1 – Metal 4-Hole AMPS to 25mm Ball Adapter (APMAMPS25MM)

IMPORTANT:

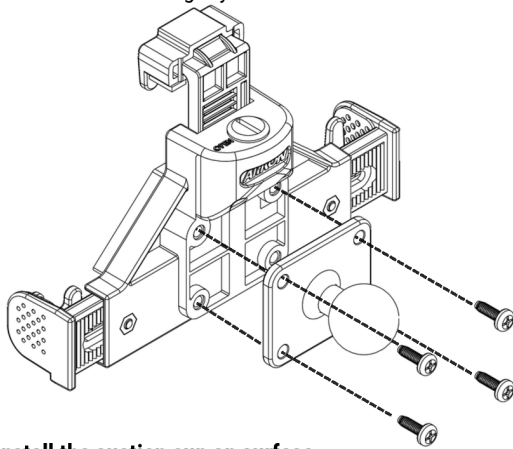
To ensure a secure and stable installation, clean the mounting surface area thoroughly by removing all grease, dirt, and debris.

Compatibility: This holder is designed to work with a variety of phones, accommodating the most popular models with widths ranging from 4.88" to 7.18" when mounted horizontally.

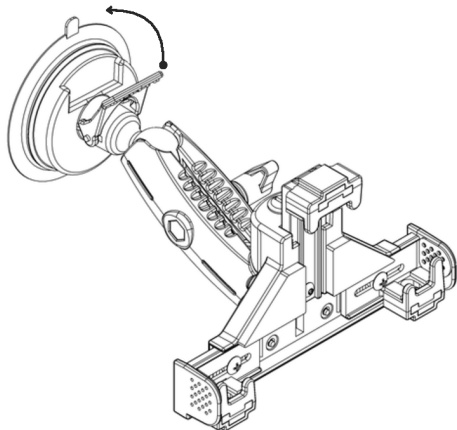
Please note that the SM090 hardware specifications.

- 1 - Allen key
- 2 - Locking keys
- 2 - Foam pads
- 4 - Screws

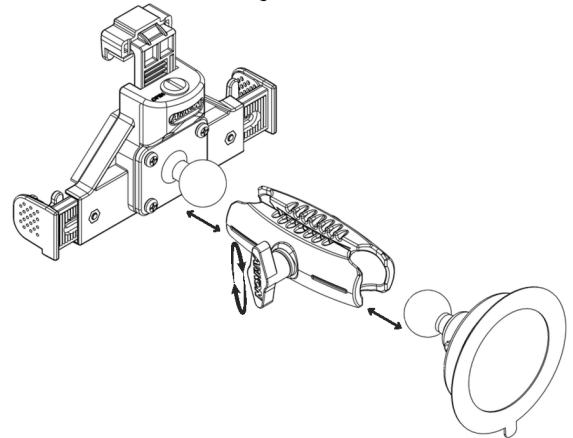
- 1** **Install the AMPS adapter plate to the phone holder**
Align the AMPS 4-hole adapter on the back of the locking phone holder. Then, insert the four mounting screws through the AMPS 4-hole ball adapter plate and into the phone holder. Finally, secure the screws tightly.



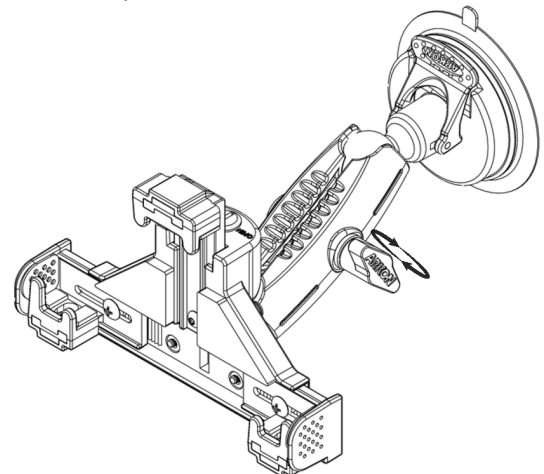
- 3** **Install the suction cup on surface**
Install the suction cup base on a clean, dry, flat surface using provided alcohol pad. Remove protective film, press suction cup firmly, and secure by flipping the lever down.



- 2** **Assemble the components**
Locate the 2.75" shaft and turn to the adjustment knob counterclockwise to expand. Insert the 25mm ball ends into the shaft. Turn clockwise to tighten.



- 4** **Tighten the 2.75" shaft to secure your desired position**
Once the suction base is secured, tighten the shaft to stabilize the desired position of the mount.



WARNING

CHOKING HAZARD - Keep out of reach from children under 8 yrs. as they can choke or suffocate on parts included with this system

WARNING

Arkon® is not responsible for any damages caused to your device or yourself due to the installation or use of this mount. Do not install Arkon® products near areas that interfere with operation of vehicles. Arkon® assumes no responsibility or liability for injury or death as a result of failure to install in a safe location. Arkon® is not responsible for any damages caused to vehicles, product, or people due to the installation or use of this product.

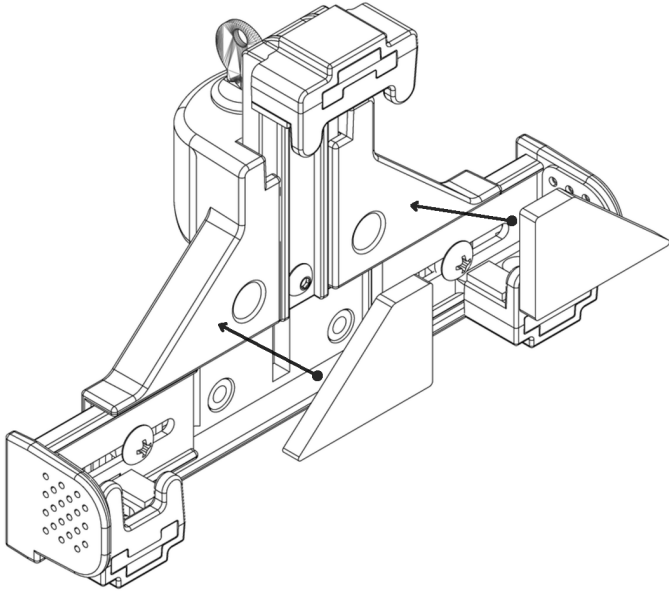
Continued on page 2



5

Optional - Installing the padding if not utilizing a phone case

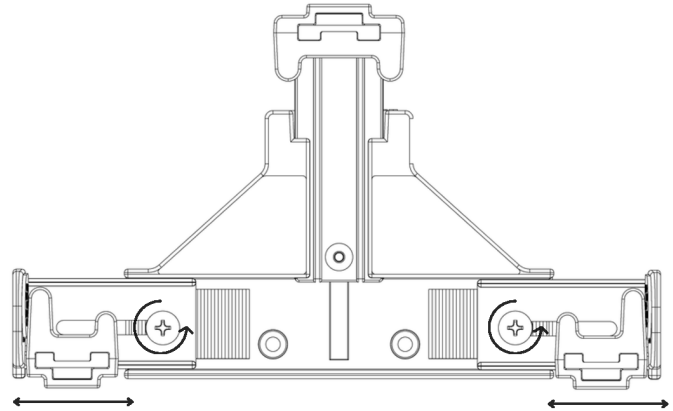
To properly set up the holder, find the packaging that contains the foam padding and place it on the sides of the holder.



6

Adjusting the length of the holder

To adjust the holder, use a Phillips screwdriver. Loosen the screws in order to expand the width and depth of the holder.



WARNING

CHOKING HAZARD - Keep out of reach from children under 8 yrs. as they can choke or suffocate on parts included with this system

WARNING

Arkon® is not responsible for any damages caused to your device or yourself due to the installation or use of this mount. Do not install Arkon® products near areas that interfere with operation of vehicles. Arkon® assumes no responsibility or liability for injury or death as a result of failure to install in a safe location. Arkon® is not responsible for any damages caused to vehicles, product, or people due to the installation or use of this product.

