

Includes:

- 1 - Slim Grip Ultra Pro Tablet Holder (TAB006AMPS)
- 1 - Double Splitter Bar Plate with Dual Bases (SP080AMPSPLTR02)
- 1 - Robust™ Series 2.75 inch Shaft Arm (SP-RMS250)
- 2 - Metal 4-Hole AMPS to 25mm Adapter (APMAMPS25MM)

IMPORTANT:

To ensure a secure and stable installation, clean the mounting surface area thoroughly by removing all grease, dirt, and debris.

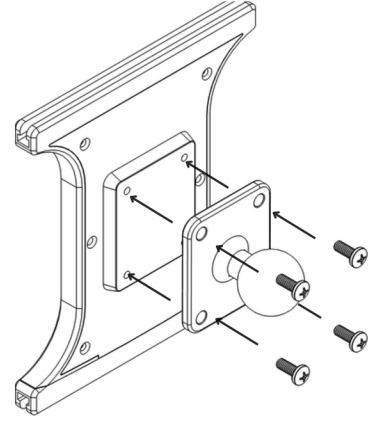
Please note the TAB006AMPS hardware specifications:

- 4 - M4 x 12mm Screws (Included)

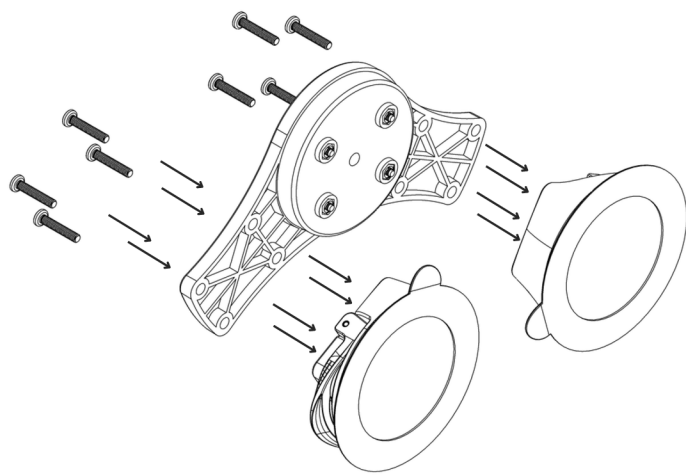
Please note the SP080AMPSPLTR02 hardware specifications:

- 1 - Double Suction Splitter Bar Plate (APSP L TR0802R)
- 4 - Screws and Nuts (SP-12M-4M7)
- 2 - Suction Cup Bases - AMPS Compatible (SPOBOAMPSR)
- 8 - Screws (M4 x 12mm Phillips Pan Head Machine)
- 2 - Alcohol Pads (XACP)

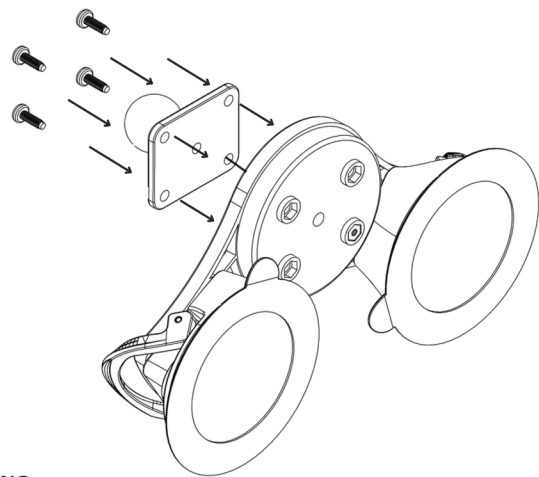
1 Assemble the AMPS mount to the tablet holder
 Locate the AMPS mount with 25mm ball, the tablet holder, and provided installation screws. Hand tighten the screws to the back of the holder.



2 Assemble the suction bases to the splitter plate
 Install the splitter bar plate onto the suction cups by aligning the holes from the plate with those on the suction cups. Proceed to insert the four mounting screws through the plate and into the bases of the suction cups. To finish, ensure that the screws are securely tightened.



3 Assemble AMPS mount to the double splitter plate
 Mount the AMPS mount onto the double splitter plate and align it using the provided hardware.



WARNING

CHOKING HAZARD - Keep out of reach from children under 8 yrs. as they can choke or suffocate on parts included with this system

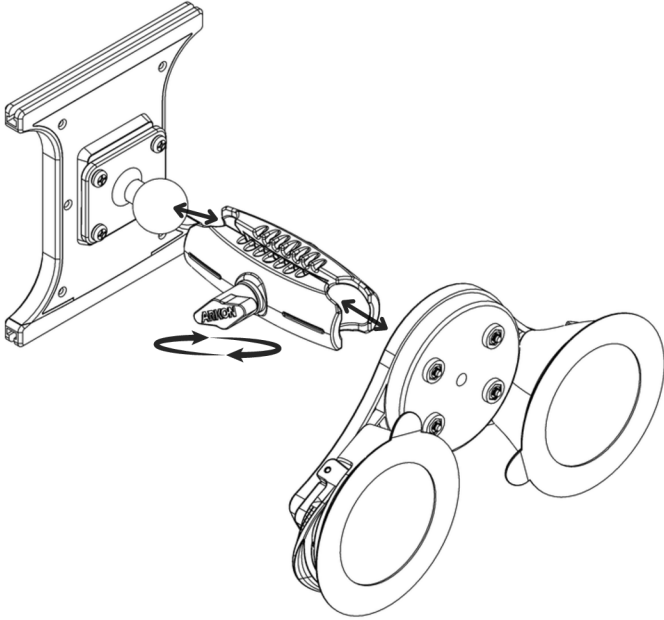
WARNING

Arkon® is not responsible for any damages caused to your device or yourself due to the installation or use of this mount. Do not install Arkon® products near areas that interfere with operation of vehicles. Arkon® assumes no responsibility or liability for injury or death as a result of failure to install in a safe location. Arkon® is not responsible for any damages caused to vehicles, product, or people due to the installation

Continued on page 2

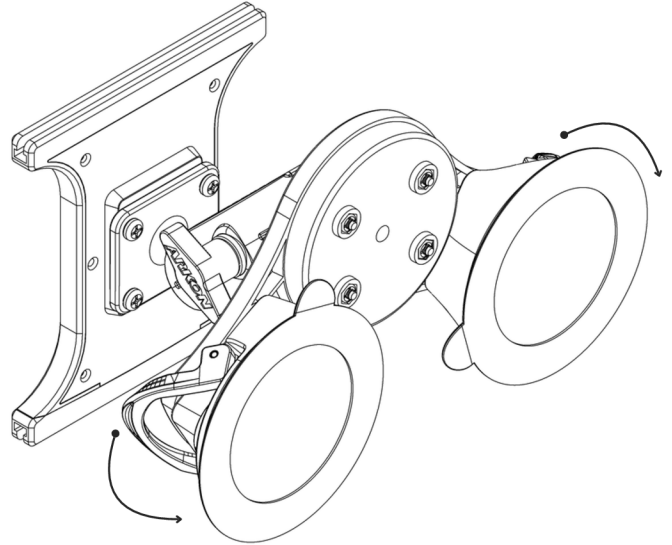
4 Assemble the components

Locate the 2.75" shaft and turn to the adjustment knob counterclockwise to expand. Insert the 25mm ball ends into the shaft. Turn clockwise to tighten.



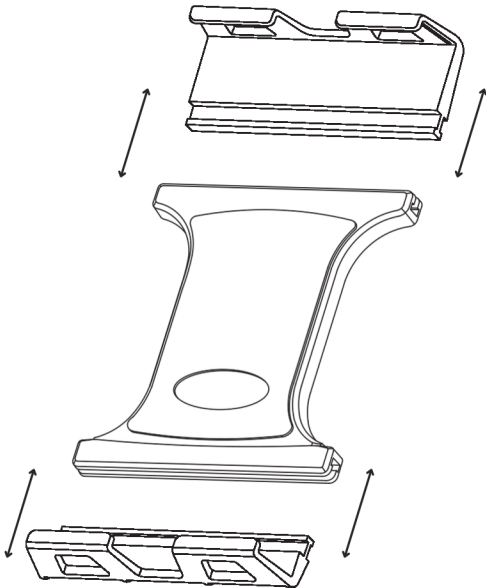
5 Install the suction cups to a surface

Locate a safe flat surface on the dash or console to mount the base. Clean the surface with the provided alcohol pad. Let the surface dry before applying. Remove the clear plastic protective film from the suction base. Push the pedestal suction cup firmly to the surface. Flip the lever down to secure the suction cup.



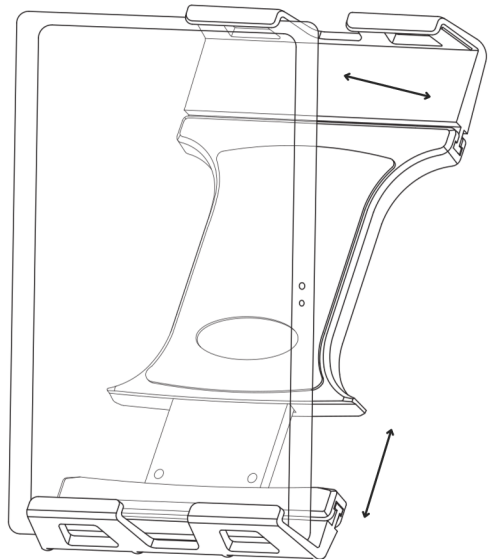
6 Install the legs onto the holder

Place the support legs as recommended. Then, insert the support legs into the designated channels on the holder.



7 Install tablet to ensure proper fit

Apply downward pressure with the tablet to extend the legs using the spring-loaded mechanism. Then, confirm that the tablet fits securely in the holder without any loose movement.



WARNING

CHOKING HAZARD - Keep out of reach from children under 8 yrs. as they can choke or suffocate on parts included with this system

WARNING

Arkon® is not responsible for any damages caused to your device or yourself due to the installation or use of this mount. Do not install Arkon® products near areas that interfere with operation of vehicles. Arkon® assumes no responsibility or liability for injury or death as a result of failure to install in a safe location. Arkon® is not responsible for any damages caused to vehicles, product, or people due to the installation or use of this product.

