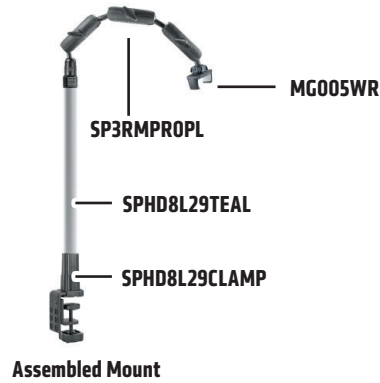
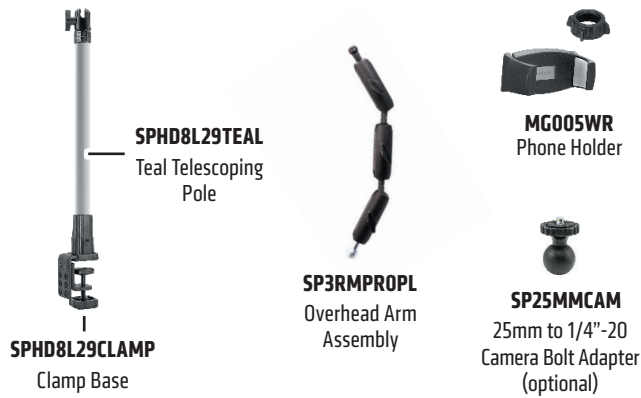


Your Pro Stand Clamp Mount will arrive in four parts:



Telescoping pole extends upward from 17 inches to 29 inches.

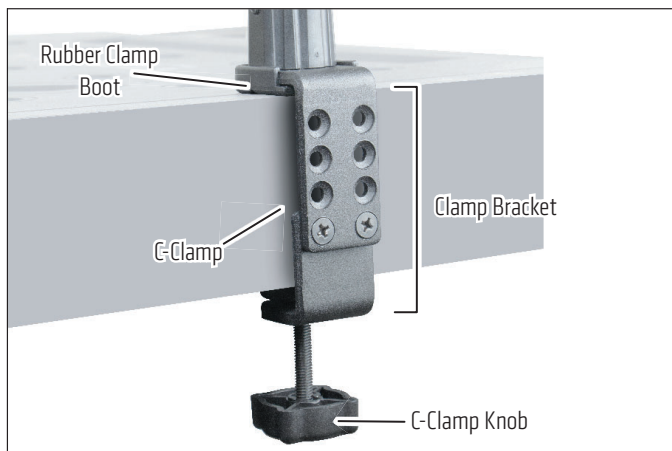
Adjustable clamp opens from 1.5 to 3.25 inches.

**Compatibility:**  
Holder fits smartphones measuring up to 3.9" wide.

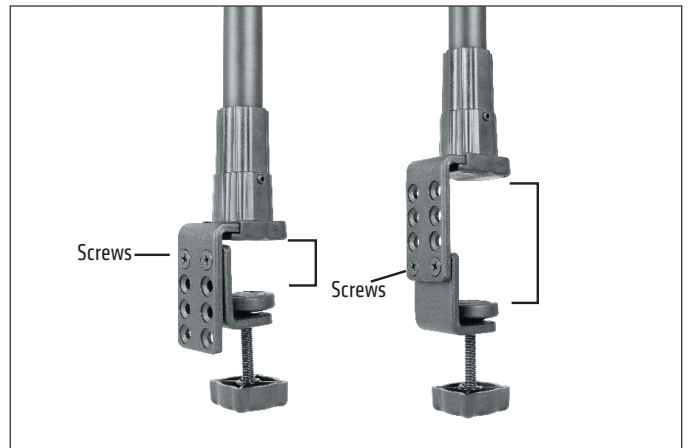
Adapter compatible with cameras having 1/4"-20 pattern.

**IMPORTANT:**  
Do not overtighten ring. Overtightening ring may damage threads on holder.

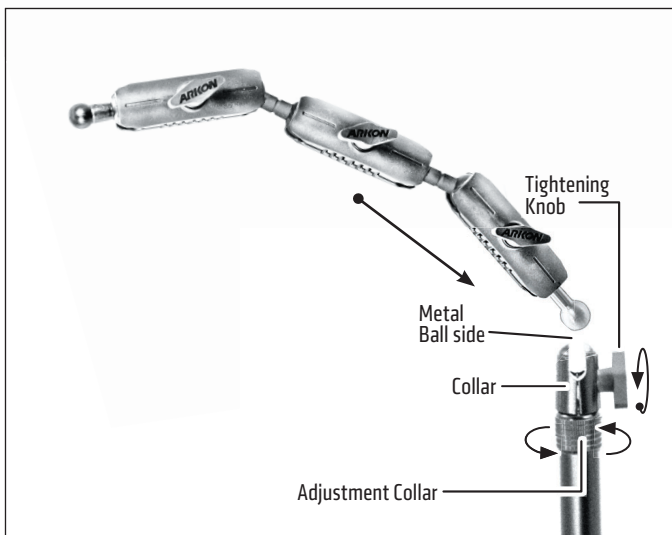
- 1a** Attach mount to surface by tightening C-clamp knob. Slide optional rubber clamp boot onto the top of the mount's clamp to prevent scratching clamp surface if desired.



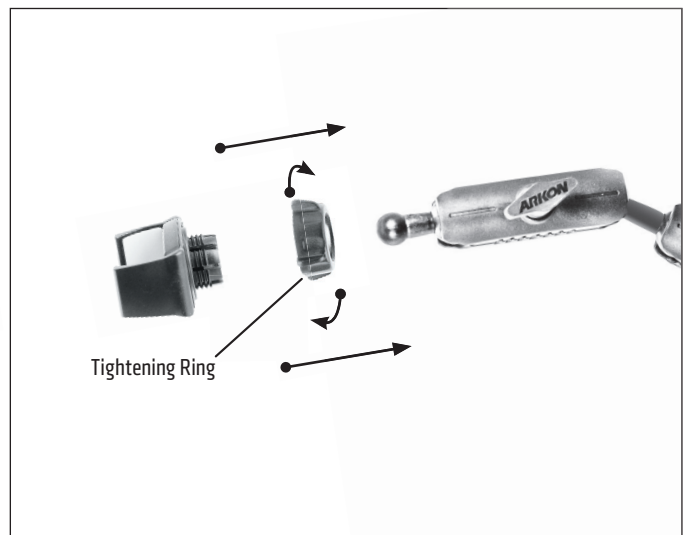
- 1b** For thicker tables or desks, adjust the clamp bracket by using a Phillips screwdriver to remove the screws from the top position and move them to the lower positions.



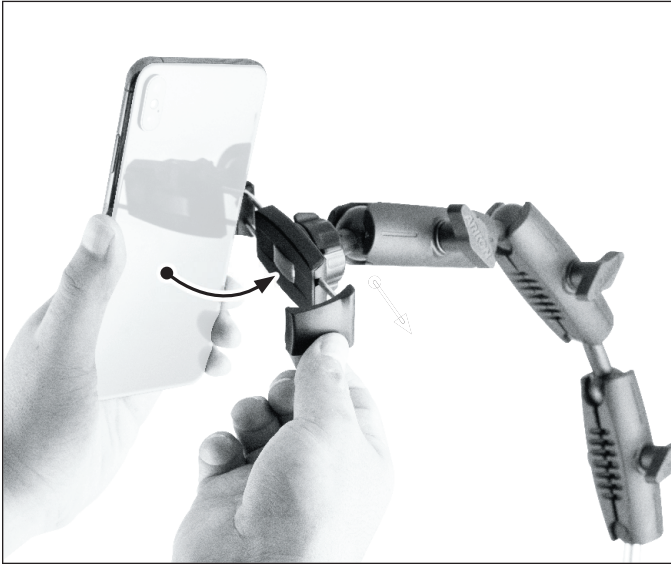
- 2** Attach overhead arm assembly to clamp pedestal by unscrewing the collar at the top of the pole until the metal ball side of the overhead arm assembly fits into the collar. Tighten collar clockwise to secure.



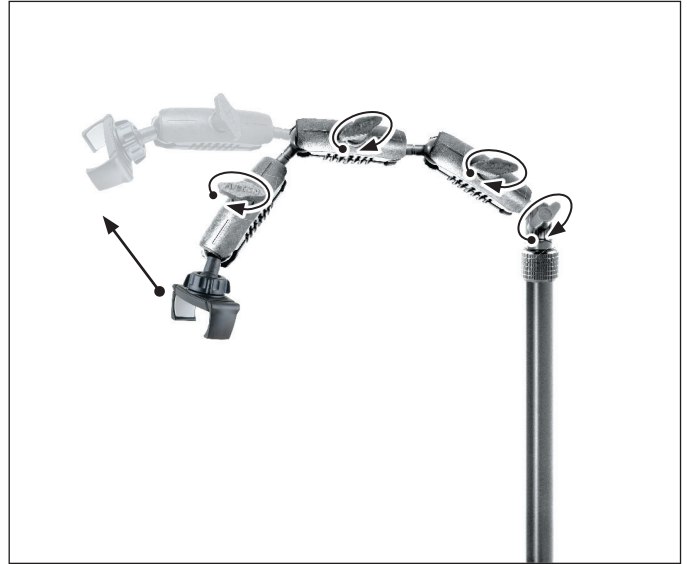
- 3** Unscrew tightening ring from holder. Place ring over the 17mm end of mount then snap the holder onto the ball. Set to desired position, then tighten ring.



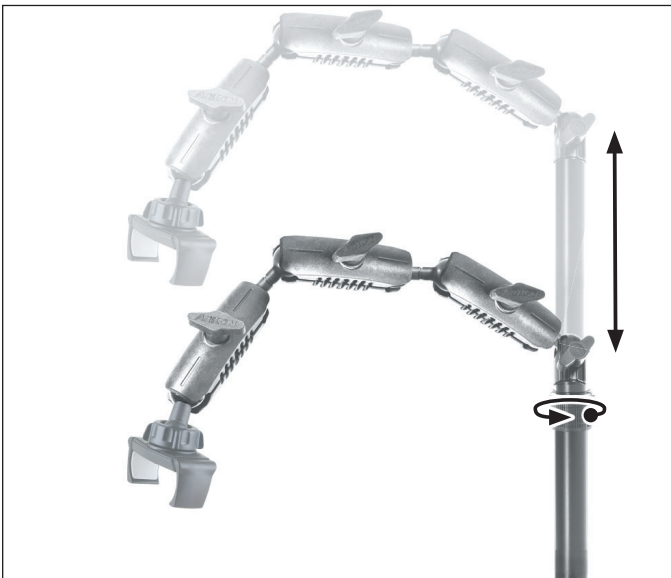
- 4 Using two hands, insert phone into the holder by pushing the device into one of the spring-loaded support arms. Expand the other support arm and fully insert device.



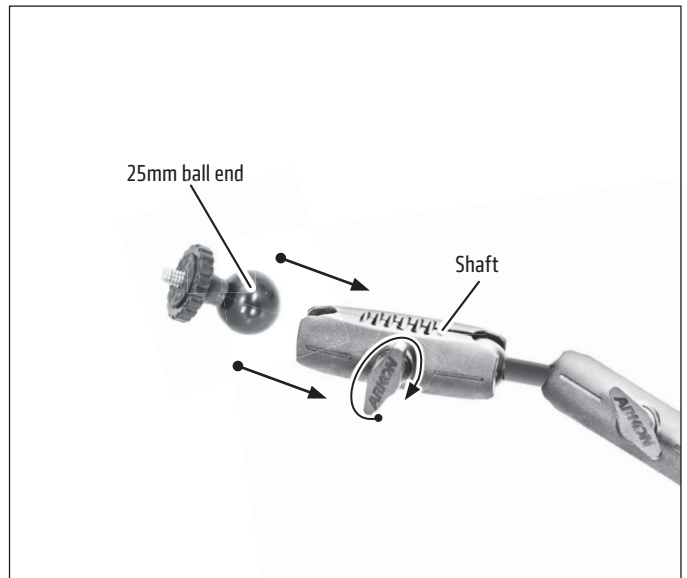
- 5 Individual shafts can be adjusted by unscrewing the shafts' knobs to loosen. Tighten knobs to set.



- 6 Adjust the height of the pole by loosening the adjustment collar counterclockwise. Tighten clockwise to set height.



- 7 To attach optional camera/pico projector adapter, unscrew shaft knob and remove phone holder, ring, and ball adapter. Attach the 25mm ball end of the camera adapter to the shaft and tighten clockwise to secure.



**! Safety Precautions**

Arkon Resources, Inc. is not responsible for any damages caused to your device or yourself due to the installation or use of this mount.

**ARKON MOUNTS**

Consumer Hotline:

USA (800) 841-0884

INT'L (626) 254-9005

Monday - Friday 9 am - 5 pm, PST

[www.arkon.com](http://www.arkon.com)

Arcadia, CA 91006 USA

Designed in USA | Made in Taiwan

© Copyright 2020 Arkon Resources, Inc.

U.S. Pat. No. 6,585,212