



GN031-B



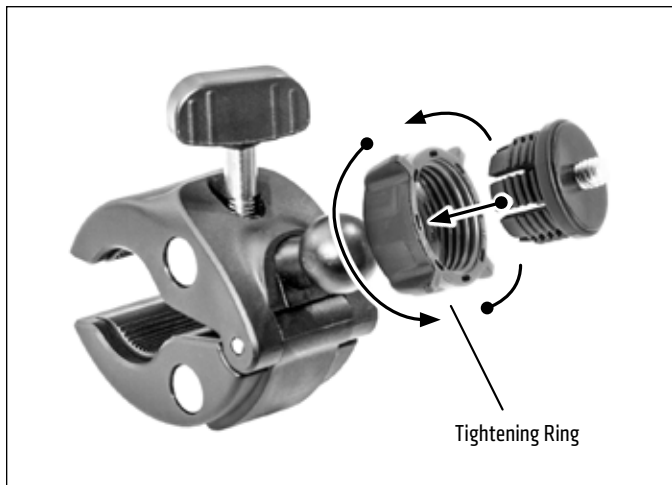
SP-SBH-KIT-CAM

Package Contents:

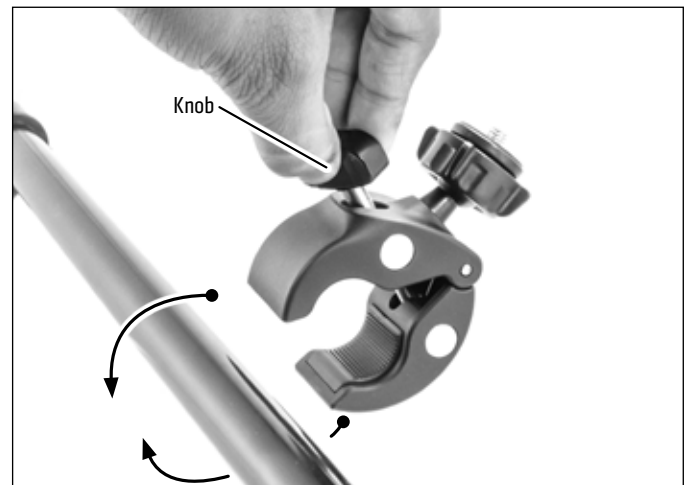
- (1) GN031-B – Clamp Post Mount with 17mm Ball
- (1) SP-SBH-KIT-CAM – 17mm Female to 1/4"-20 Camera Bolt Adapter with Tightening Ring

IMPORTANT: Do not overtighten ring. Overtightening ring may damage threads on holder and also make it difficult to adjust holder.

- 1 Attach adapter to mount by placing adjustment ring over the 17mm ball, snapping the adapter onto the ball and then tightening the ring.



- 2 Unscrew mount's knob to loosen grip. Place the mount around pole as desired, then retighten knob to secure.



- 3 Screw the camera onto the 1/4"-20 mounting bolt.



! Safety Precautions
 Arkon is not responsible for any damages caused to your device or yourself due to the installation or use of this mount.

ARKON® MOUNTS

Consumer Hotline:
 USA (800) 841-0884
 INT'L (626) 254-9005
 Monday - Friday 9am - 5pm, PST

www.arkon.com
 Arcadia, CA 91006 USA
 Designed in USA | Made in USA & China
 © Copyright 2018 Arkon Resources, Inc.