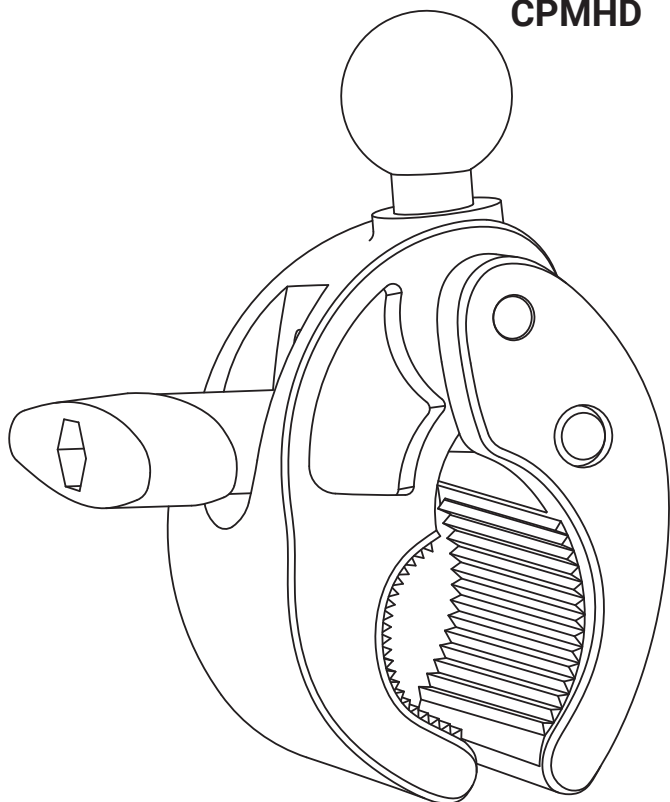


CPMHD

Includes:

- 1 – Manual
- 1 – RoadVise Clamp Mount (CPMHD)

Important: Clean the application surface and make sure it is free of dirt, dust, and grease before installing the mounting hardware.



- 1 How to adjust the RoadVise clamp mount**
Turn the knob on the clamp mount counterclockwise to expand the clamp arms to your desired width. Expand the arms by gently pulling them apart. Mount to your application surface and tighten the knob clockwise to secure.

