

Your Clamp Stand Bundle will arrive in eight pieces:



**Package Contents:**

- HDDSLR01B** – Adjustable Clamp Mount with 1/4"-20 Camera Post and Clamp Extension Bracket
- TAB001-AMPS** – Slim-Grip® Universal Tablet Holder
- MGO05WRB** – Mobile Grip 5 Universal Phone Holder
- SP142017MM** – 17mm Ball to 1/4"-20 Adapter
- SP142022MM** – 22mm Ball to 1/4"-20 Adapter
- SP-SB-RING-22** – 22mm Tightening Ring
- SP-SB-AMPS-22** – 22mm Female to 4-Hole AMPS Adapter
- SPDSLBR** – Optional Ceiling Mount Bracket

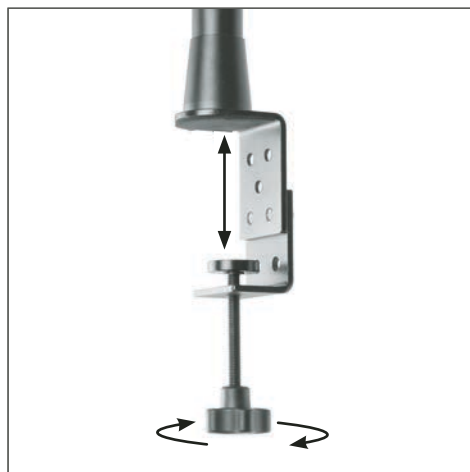
Adjustable clamp opens up to 5.12 inches.

Adapter compatible with cameras having 1/4"-20 pattern. The Mobile Grip 5 Universal Phone Holder fits phones up to 3.9" wide. The Slim-Grip® Universal Tablet Holder fits tablets 7" – 18.4" screen size.

**IMPORTANT:** Do not overtighten ring. Overtightening may damage threads on holder and also make it difficult to adjust phone and tablet holders.

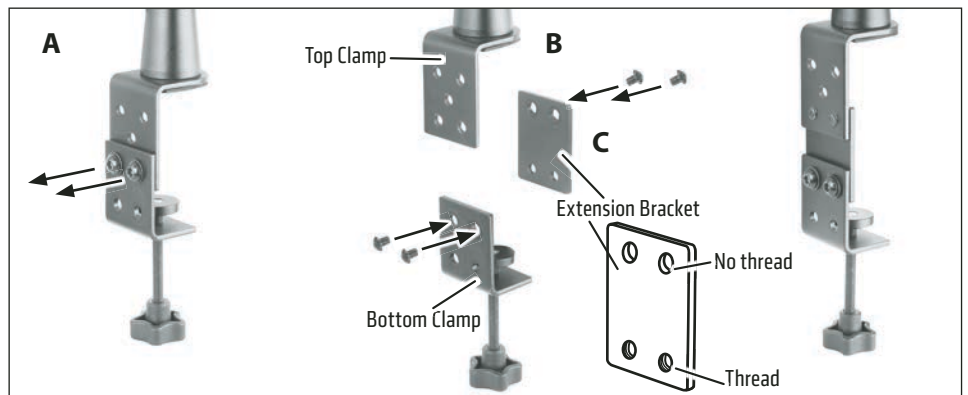
**TO INSTALL/ADJUST CLAMP**

- 1 Turn the knob at the bottom of the clamp to adjust to the desired height.



**TO EXTEND CLAMP OPENING**

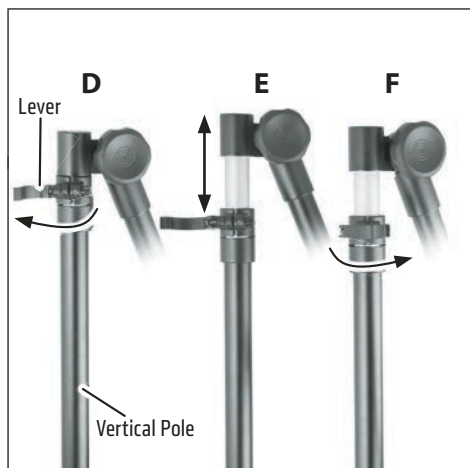
- 2 (A) Remove the existing screws using the included hex key. (B) Separate the top and bottom clamp brackets. (C) Position the extension bracket inside of the top clamp and insert screws.



**\*VERY IMPORTANT:** Install screws through the INSIDE of the top clamp, and through the OUTSIDE of the bottom clamp in order to keep clamp intact and prevent damage.

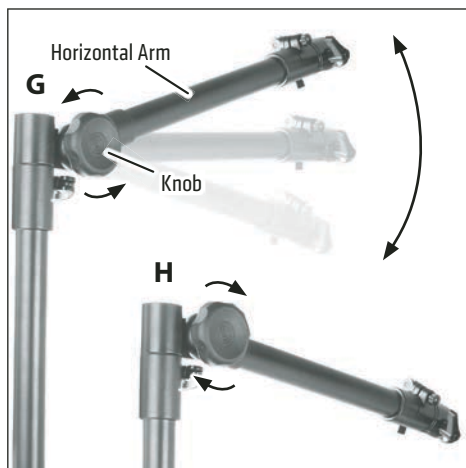
**TO ADJUST VERTICAL BASE POLE HEIGHT**

- 3 (D) Release the lever. (E) Extend the vertical pole to the desired position. (F) Close the lever to secure position.



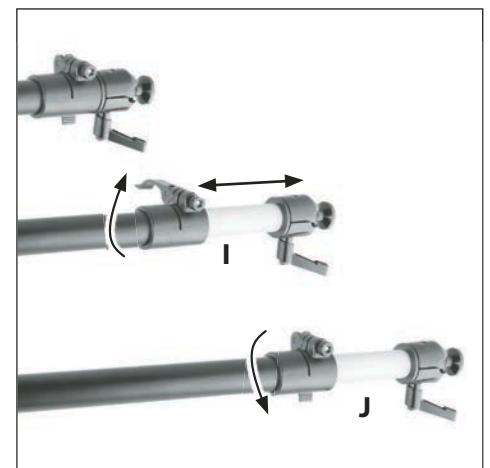
**TO ADJUST UPPER ARM ANGLE**

- 4 (G) Turn knob counter-clockwise and move horizontal arm to desired position. (H) Turn knob clockwise to secure.

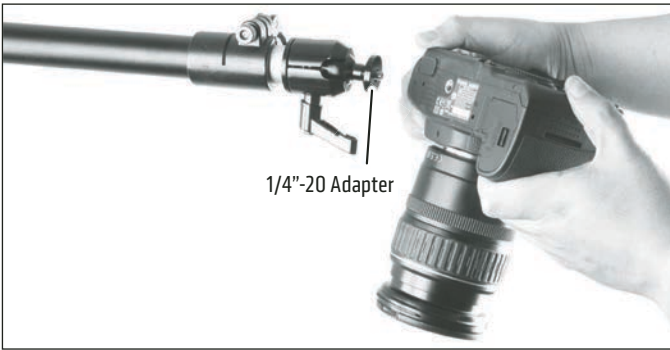


**TO ADJUST UPPER ARM LENGTH**

- 5 (I) Release the lever and extend. (J) Close the lever to secure the arm.



- 6 Connect the DSLR to the 1/4"-20 adapter. Make sure all levers and knobs are locked and secure before releasing your DSLR to avoid potential damage.

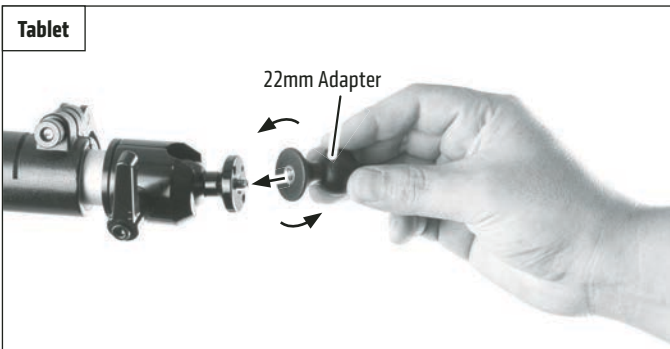


- 7 While holding device, release lever to change the angle and position for overhead videos. Tighten lever to secure.

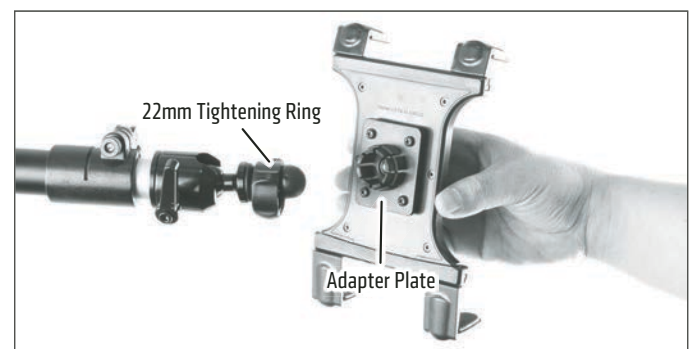


**TO CONNECT TABLET/PHONE HOLDERS**

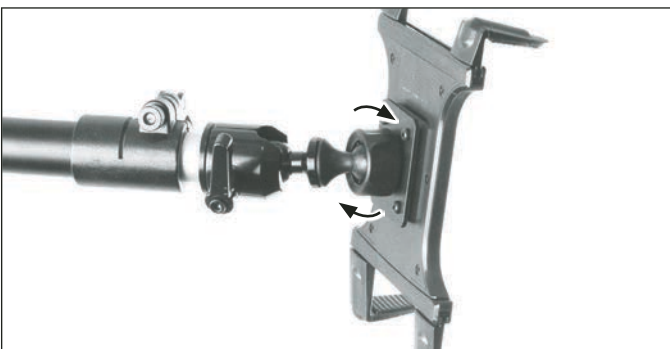
- 8 To attach tablet holder, screw the 22mm adapter onto the 1/4"-20 adapter.



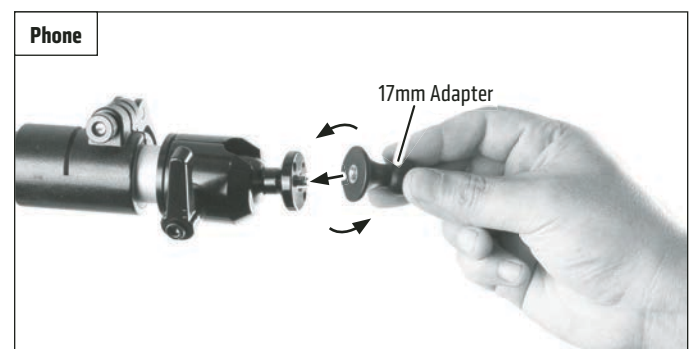
- 9 Add adapter plate and screws to the back of the tablet holder. Rest tightening ring over the tablet adapter.



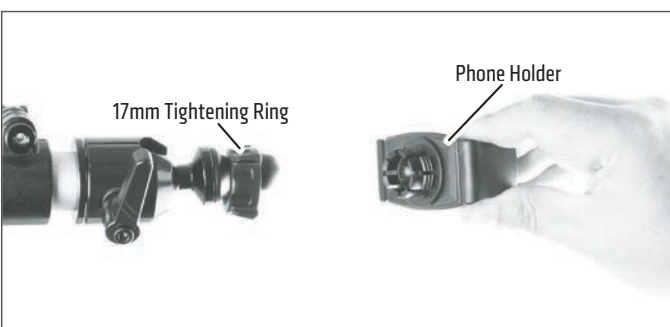
- 10 Insert the ball into the back of the tablet holder and tighten the ring to secure.



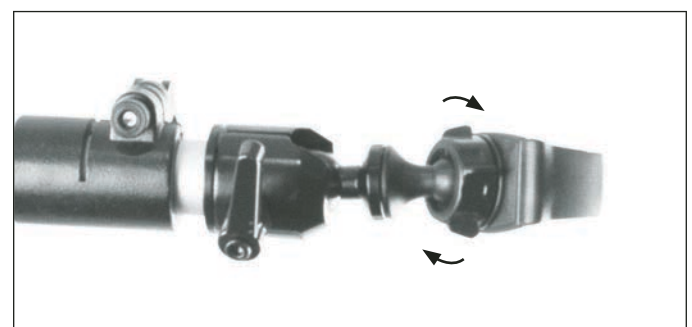
- 11 To attach phone holder, screw the 17mm adapter onto the 1/4"-20 adapter.



- 12 Rest tightening ring over the phone adapter.

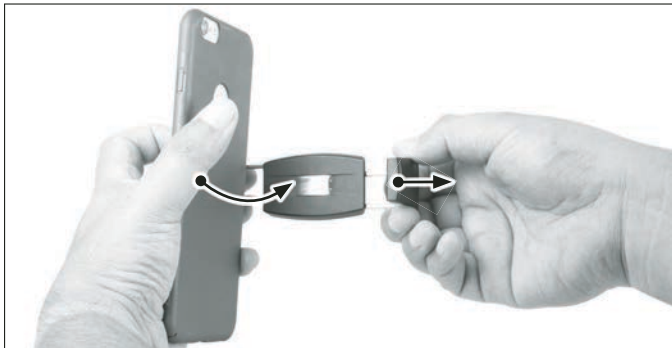


- 13 Insert the ball into the back of the phone holder and tighten the ring to secure.



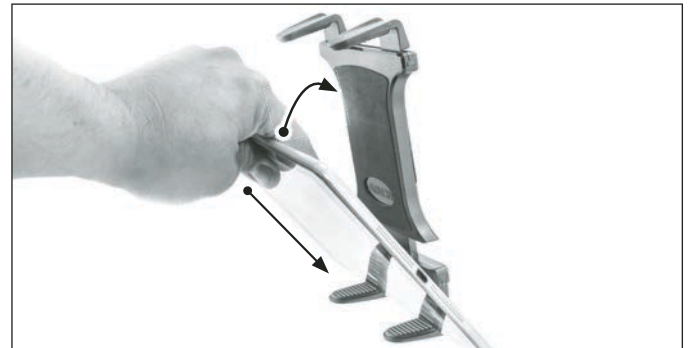
**TO MOUNT PHONE**

- 14 Using two hands, insert phone into the holder by pushing the device into one of the spring-loaded support arms. Expand the other support arm and fully insert device.



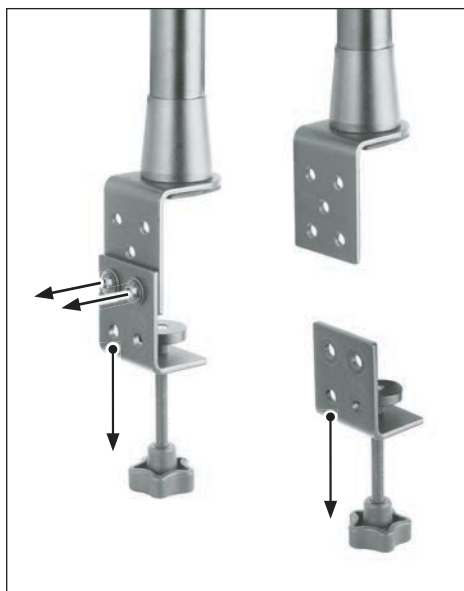
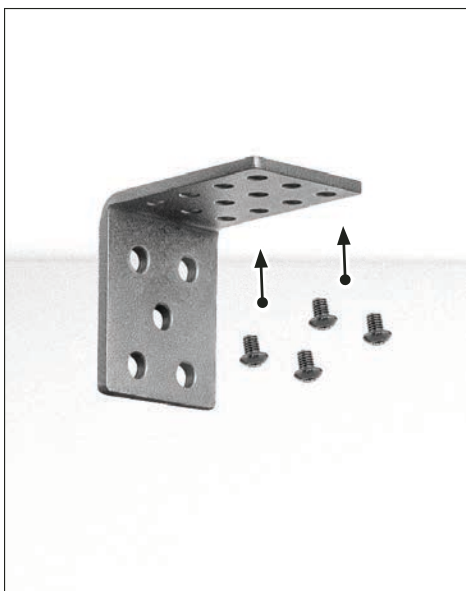
**TO MOUNT TABLET**

- 15 Install the four support legs that best fit your tablet to your tablet holder. Push down on lower legs of spring-loaded holder to insert tablet.



**OPTIONAL CEILING/WALL MOUNT BRACKET**

- 8 Attach ceiling/wall mount bracket to wood framed or drywall ceiling. Use appropriate screws (not included).
- 9 Remove clamp parts from base of clamp stand.
- 10 Attach top clamp to the ceiling/wall bracket using a minimum of three screws. Four screws are recommended.



**⚠ Safety Precautions**  
 Devices should be detached or removed from the Clamp Stand for DSLR Camera, Tablet, or Phone before unclamping or moving the stand. Always make sure the clamp is tightly secured before using the stand. Optional ceiling bracket should be mounted to a framed wood or drywall ceiling. Accessories may be required for high ceilings and vaulted sloped ceilings. Screws for mounting are not included. Arkon Resources Inc. is not responsible for any damages caused to your device or yourself due to the installation or use of this stand. Arkon Resources, Inc. is not responsible for any damages caused to your device or yourself due to the installation or use of this mount.

**ARKON® MOUNTS**

**Consumer Hotline:**  
 USA (800) 841-0884  
 INT'L (626) 254-9005  
 Monday - Friday 9 am - 5 pm, PST

**www.arkon.com**  
 Arcadia, CA 91006 USA  
 Designed in USA | Made in Taiwan  
 © Copyright 2021 Arkon Resources, Inc.