

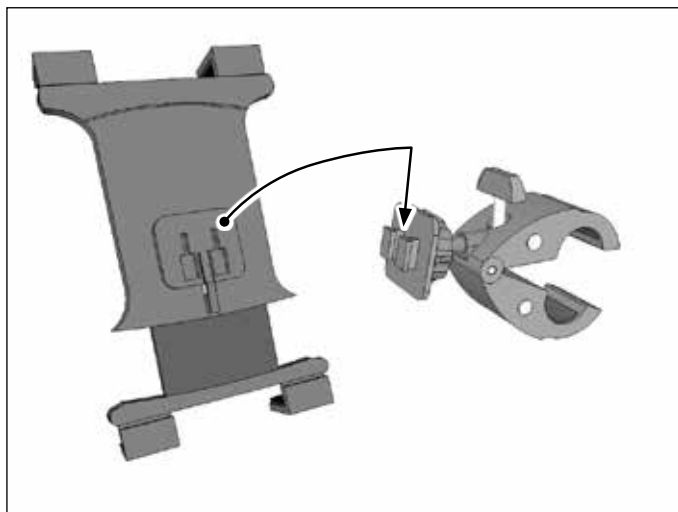


**Package Contents:**

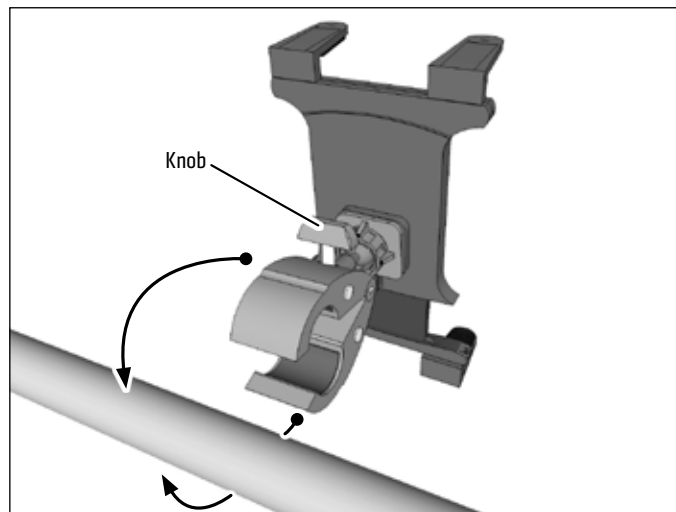
- (1) TAB001 – Slim-Grip Universal Tablet Holder
- (1) GN03122-B – Clamp Post Mount with Dual T-Tab Head

The Slim-Grip Universal Tablet Holder fits tablets with 7" - 18.4" screen size. It includes 4 short, 2 medium, and 4 long support legs. Select a combination of 4 support legs in conjunction for use with the spring-loaded holder to achieve the perfect fit for your tablet.

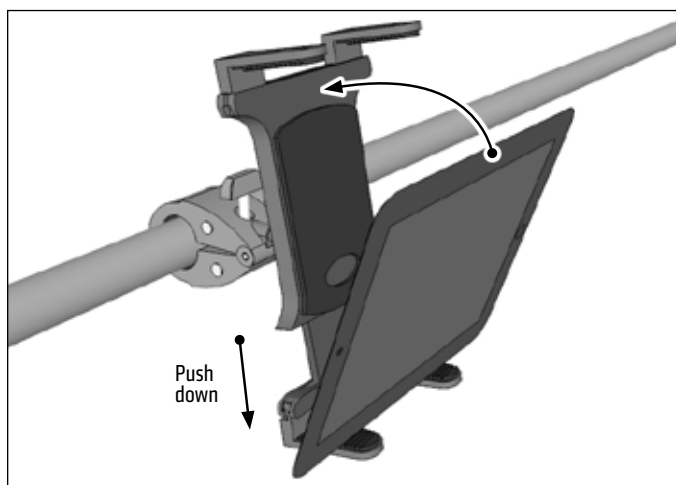
- 1** Attach holder by inserting the mount's Dual T-Tabs into the holder's Dual T-Slots.



- 2** Unscrew mount's knob to loosen grip. Place the mount around pole as desired, then retighten knob to secure.



- 3** Insert device by pushing down on the lower legs of the spring-loaded holder.



**! Safety Precautions**  
 Arkon is not responsible for any damages caused to your device or yourself due to the installation or use of this mount.

**ARKON MOUNTS**

**Consumer Hotline:**  
**USA** (800) 841-0884  
**INT'L** (626) 254-9005  
 Monday - Friday 9 am - 5 pm, PST

**www.arkon.com**  
 Arcadia, CA 91006 USA  
 Designed in USA | Made in Taiwan and USA  
 © Copyright 2020 Arkon Resources, Inc.