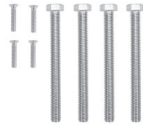


APFLBKTRC



SP4FLIFT



SPRM256B



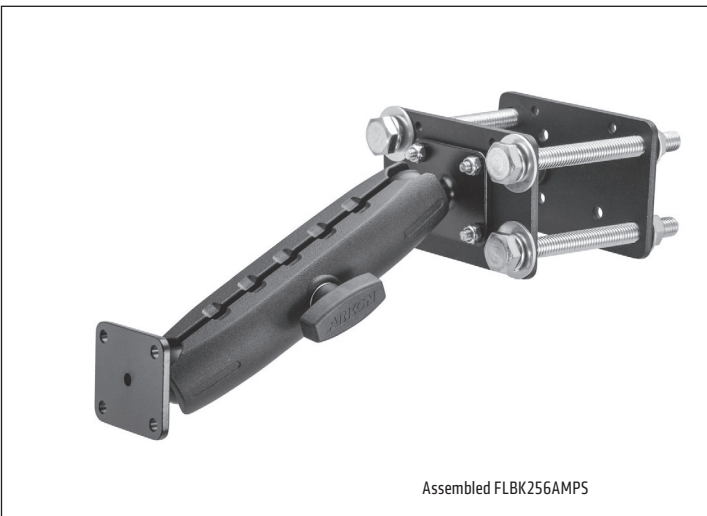
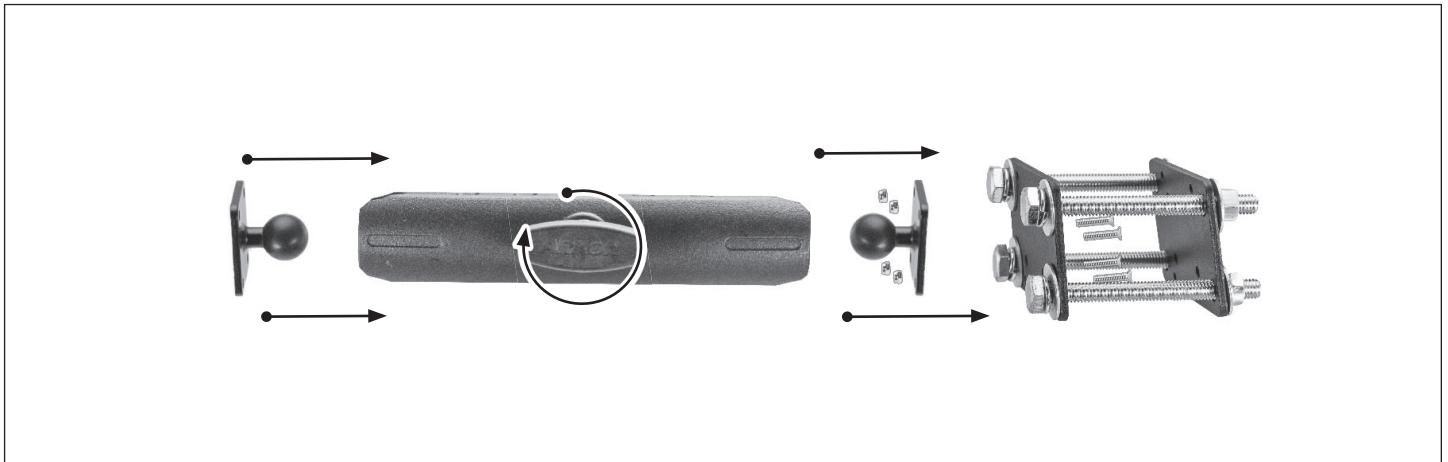
APMAMPS25MM

Package Contents:

- (1) **SPRM256B** – 6" 25mm Robust Mount Shaft
- (2) **APFLBKTRC** – 2.5" x 4" Black Steel Recessed Forklift Mounting Plate
- (1) **SP4FLIFT** – Hardware Pack
- (2) **APMAMPS25MM** – Metal AMPS to 25mm Ball Adapter

FLBK256AMPS includes two steel mounting plates for placement on either side of the forklift pillar. Use the included recessed plate hardware to secure the recessed plate to the FRONT of the forklift pillar. Use the included 3/8"-16 x 4" Tap Bolts with washers and nuts to secure the plates at each corner.

Each steel plate weighs just over .5 pounds and measures 4" x 2.5" x .25" (101mm x 64mm x 6mm).



Assembled FLBK256AMPS

⚠ Safety Precautions

Use caution during installation when handling heavy metal plates to avoid injury. Arkon assumes no responsibility of liability for injury or death due to the installation or use of this mount.

ARKON® MOUNTS

Consumer Hotline:
USA (800) 841-0884
INT'L (626) 254-9005
 Monday - Friday 9 am - 5 pm, PST

www.arkon.com
 Arcadia, CA 91006 USA
 Designed in USA | Made in Taiwan and USA
 © Copyright 2019 Arkon Resources, Inc.