

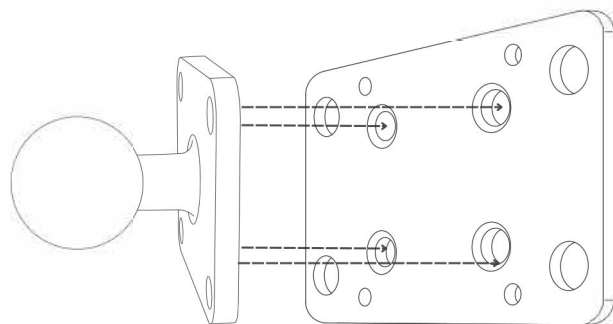
**Includes:**

- 1 - VESA 75 / VESA 100 to 25mm Ball Bracket Adapter (AP25MMVESA)
- 1 - Hardware Kit (SP4FLIFT)
- 1 - Metal 4-Hole AMPS to 25mm Ball Adapter (APMAMPS25MM)
- 2 - 2.5" x 4" Black Steel Forklift Mounting Plate (APFLBKTRC)
- 1 - Robust™ Series 6 inch Metal Mount Shaft (SPRM256B)
- 1 - Screw cap pack (5) for 3/8 bolts (SPSCPBOLT)

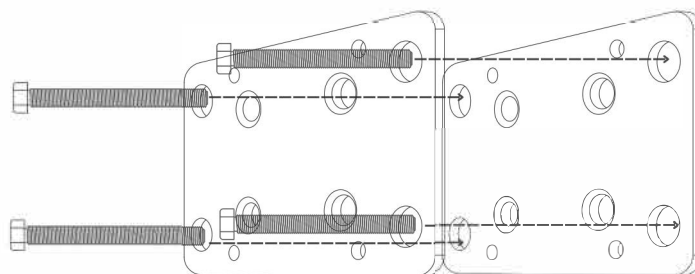
FLBK256VESA comes with two steel mounting plates that can be placed on either side of the forklift pillar. To secure the recessed plate to the front of the forklift pillar, use the included recessed plate hardware. At each corner, use the included 3/8-16x4" bolts with washers and nuts to secure the plates.

Each APFLBKTRC steel plate measures 4" x 2.5" x 1/4" (101mm x 64mm x 6mm) and weighs just over 0.5 pounds.

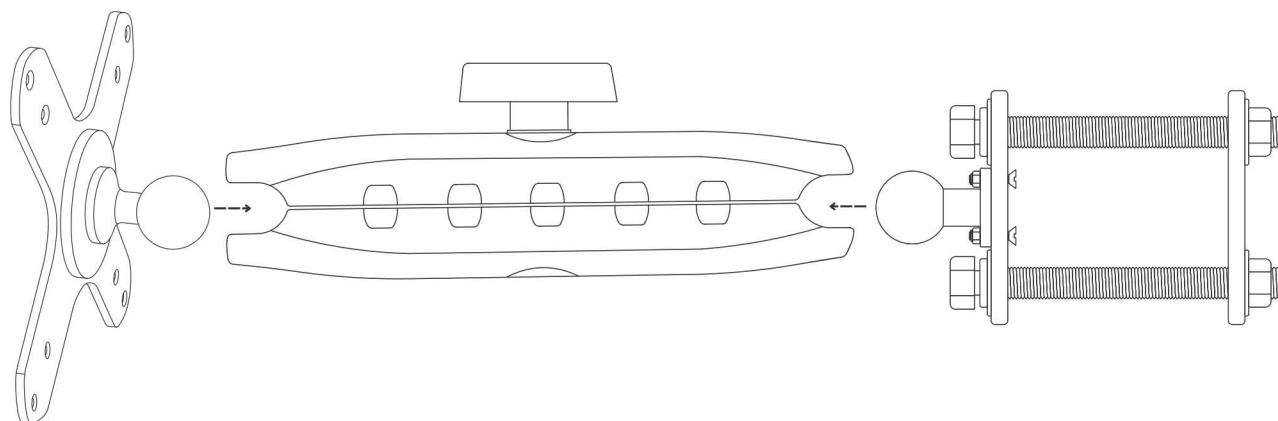
**1 Attach the AMPS Adapter to the Mounting Plate**  
Position the AMPS Adapter plate on one of the mounting plates and secure it in place using the screws and nuts included in the hardware kit (SP4FLIFT).



**2 Mounting Plate Installation**  
Position the mounting plates against the designated area. Secure the plates in place while inserting the SP4FLIFT hardware.



**3 Assemble all components**  
Begin by turning the shaft arm counterclockwise to loosen it. Then, connect the VESA adapter to one end and the 25mm ball on the opposite end. Lastly, tighten the shaft to ensure everything is securely in position.



**WARNING**  
CHOKING HAZARD - Keep out of reach from children under 8 yrs. as they can choke or suffocate on parts included with this system

**WARNING**  
Arkon® is not responsible for any damages caused to your device or yourself due to the installation or use of this mount. Do not install Arkon® products near areas that interfere with operation of vehicles. Arkon® assumes no responsibility or liability for injury or death as a result of failure to install in a safe location. Arkon® is not responsible for any damages caused to vehicles, product, or people due to the installation or use of this product.

