

APFLBKTRC



SP4FLIFT



APMAMP538MM



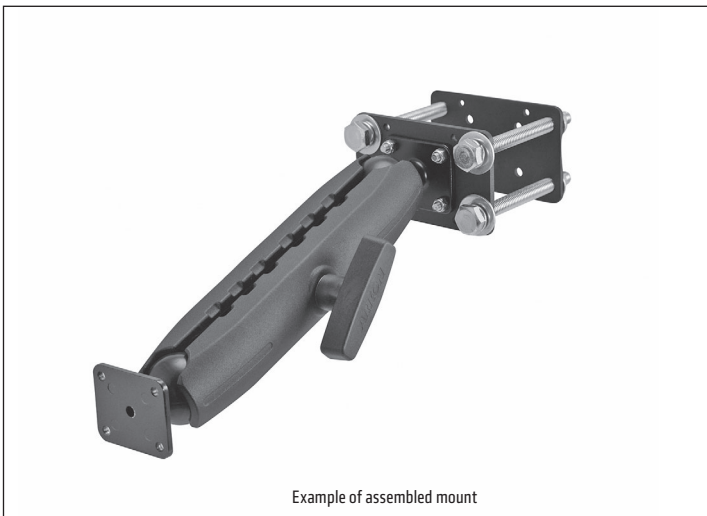
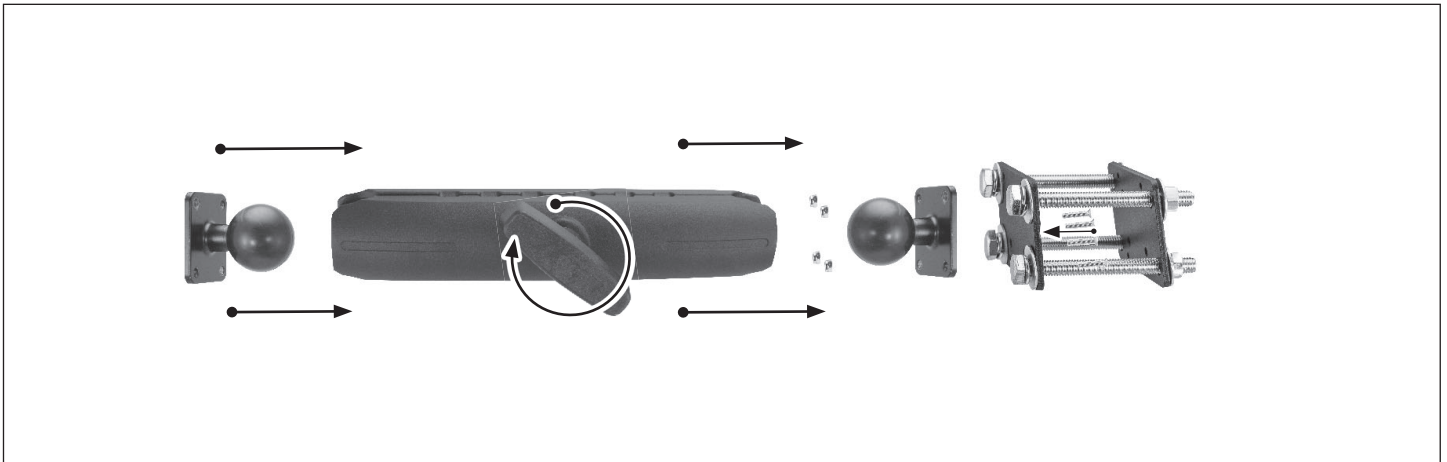
SPRM3885

Package Contents:

- (1) **SPRM3885** – 8.5" 38mm Robust Mount Shaft
- (2) **APFLBKTRC** – 2.5" x 4" Black Steel Recessed Forklift Mounting Plate
- (1) **SP4FLIFT** – Hardware Pack
- (2) **APMAMP538MM** – Metal AMPS to 38mm Ball Adapter

FLBK3885AMPS includes two steel mounting plates for placement on either side of the forklift pillar. Use the included recessed plate hardware to secure the recessed plate to the FRONT of the forklift pillar. Use the included 3/8-16x4" Tap Bolts with washers and nuts to secure the plates at each corner.

Each APFLBKTRC steel plate weighs just over .5 pounds and measures 4" x 2.5" x 1/4" (101mm x 64mm x 6mm).



Example of assembled mount

! Safety Precautions
 Use caution during installation when handling heavy metal plates to avoid injury. Arkon assumes no responsibility of liability for injury or death due to the installation or use of this mount.

ARKON MOUNTS

Consumer Hotline:
USA (800) 841-0884
INT'L (626) 254-9005
 Monday - Friday 9 am - 5 pm, PST

www.arkon.com
 Arcadia, CA 91006 USA
 Designed in USA | Made in Taiwan and USA
 © Copyright 2019 Arkon Resources, Inc.