

Includes:

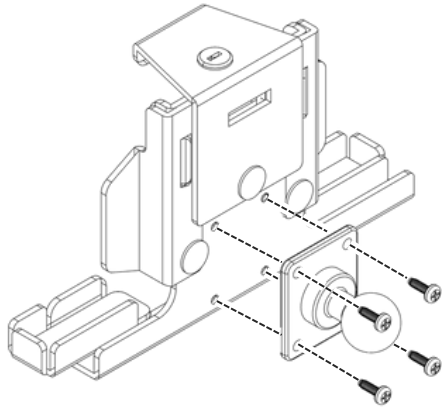
- 1 - Square VESA 75 / VESA 100 Adapter Plate (SPVESAPLATE)
- 2 - 2.5" x 4" Black Steel Forklift Mounting Plate (APFLBKTRC)
- 1 - Screw cap pack (5) for 3/8 bolts (SPSCPBOLT) - Optional
- 1 - Robust™ Series 3.75 inch Shaft Arm (SP-RM250)
- 1 - Hardware Kit (SP4FLIFT)
- 2 - XMS 25mm AMPS Ball Adapter Plate (APMAMPS255MMAL)

Compatibility: This holder ensures compatibility with a wide range of tablets, including the most popular models, from 7"-10.5" in screen size.

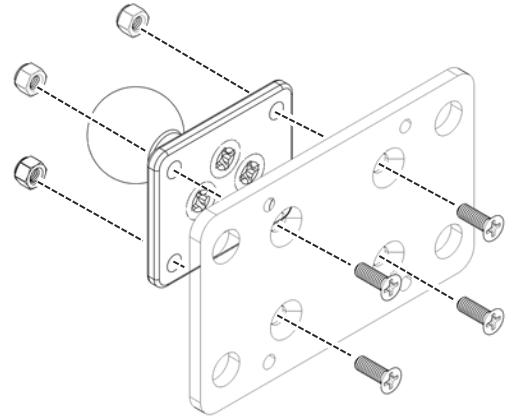
Important: Clean the application surface and make sure it is free of dirt, dust, and grease before installation.

Note: This mount features two steel mounting plates that can be positioned on either side of the forklift pillar. Each plate has dimensions of 4" x 2.5" x 1/4" (101mm x 64mm x 6mm) and weighs slightly more than 0.5 pounds.

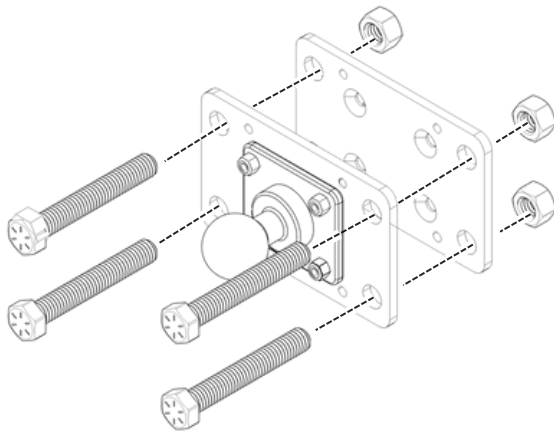
- 1** **Install the AMPS adapter plate to the holder**
Align the AMPS 4-hole adapter on the back of the holder. Then, insert the four mounting screws through the AMPS 4-hole ball adapter plate and into the holder. Finally, secure the screws tightly.



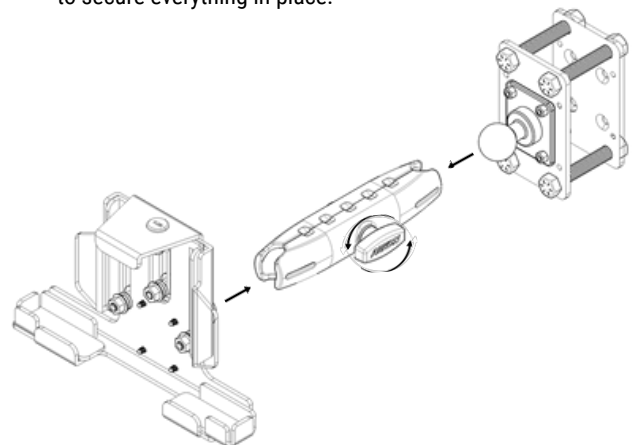
- 2** **Attach the AMPS Adapter to the Mounting Plate**
Position the AMPS plate on one of the mounting plates and secure it in place using the screws and nuts included in the hardware kit.



- 3** **Mounting Plate Installation**
Position the mounting plates against the designated area. Secure the plates in place while inserting the hardware.



- 4** **Assemble the components**
Turn the shaft arm counterclockwise to loosen it. Next, attach the 25mm ball adapters to both ends. Finally, tighten the shaft to secure everything in place.



WARNING

CHOKING HAZARD - Keep out of reach from children under 8 yrs. as they can choke or suffocate on parts included with this system

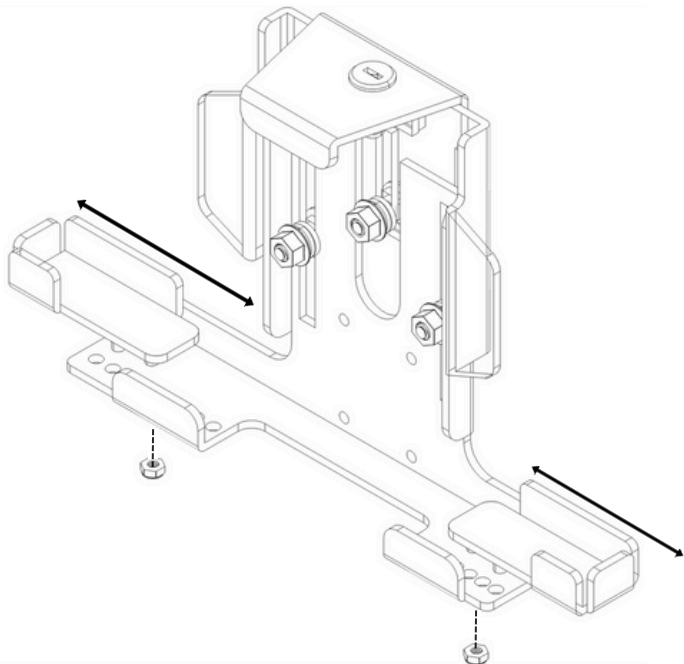
WARNING

Arkon® is not responsible for any damages caused to your device or yourself due to the installation or use of this mount. Do not install Arkon® products near areas that interfere with operation of vehicles. Arkon® assumes no responsibility or liability for injury or death as a result of failure to install in a safe location. Arkon® is not responsible for any damages caused to vehicles, product, or people due to the installation or use of this product.

Continued on page 2

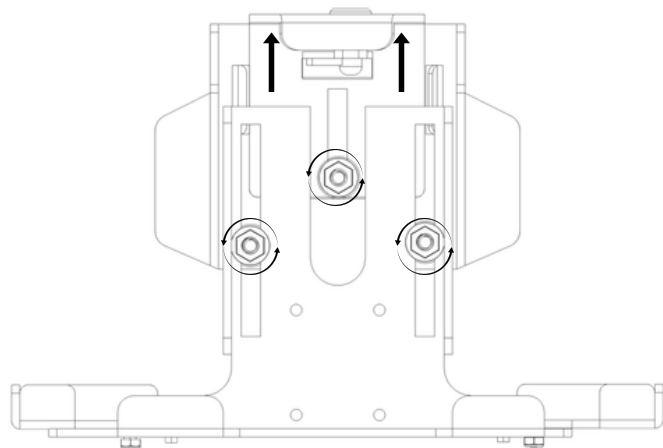
5 Modify the Tablet Holder Width

To customize the tablet holder width for your device, loosen the screws positioned at the bottom sides of the holder. After adjusting, tighten the screws to keep the tablet securely in place.



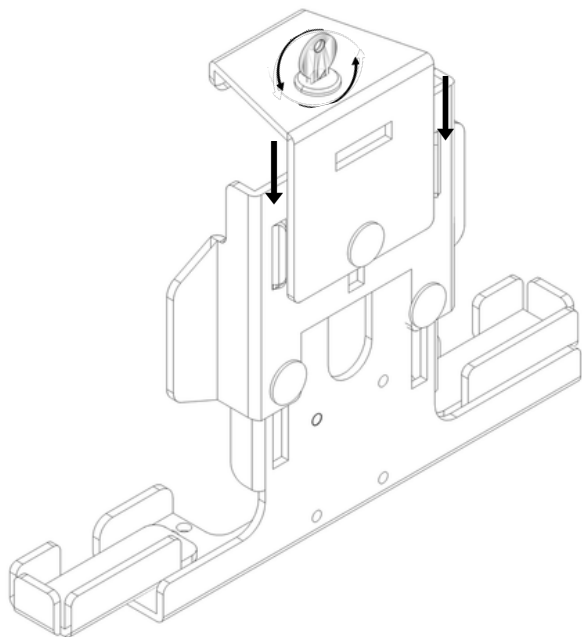
6 Adjusting the Tablet Holder Length

Unscrew the three screws/washers located at the back/center of the holder to modify the height of the tablet holder to match your tablet. Remember to retighten the screws/washers to ensure everything is securely in place.



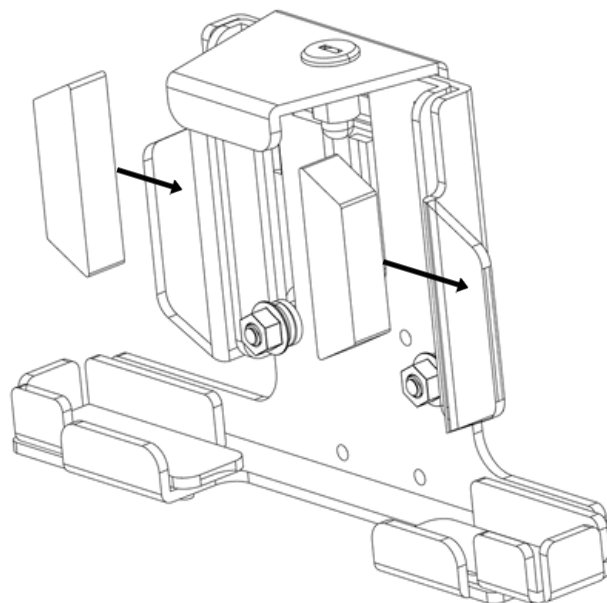
7 Securing the Tablet Holder

To secure the tablet, simply press down on the locking arm located on the top of the tablet and use the included keys to lock it in place.



8 Optional - Installing the foam padding if not using a tablet case

To properly set up the tablet holder, apply the foam padding and place it in the sides of the holder.



WARNING

CHOKING HAZARD - Keep out of reach from children under 8 yrs. as they can choke or suffocate on parts included with this system

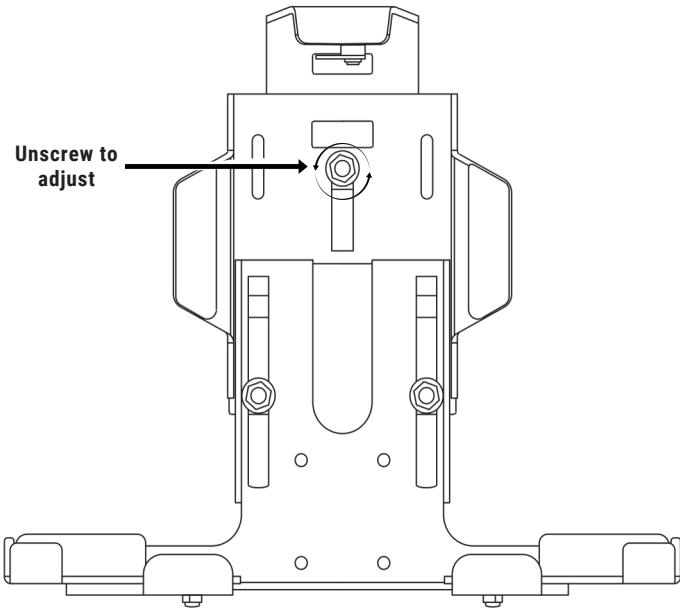
WARNING

Arkon® is not responsible for any damages caused to your device or yourself due to the installation or use of this mount. Do not install Arkon® products near areas that interfere with operation of vehicles. Arkon® assumes no responsibility or liability for injury or death as a result of failure to install in a safe location. Arkon® is not responsible for any damages caused to vehicles, product, or people due to the installation or use of this product.

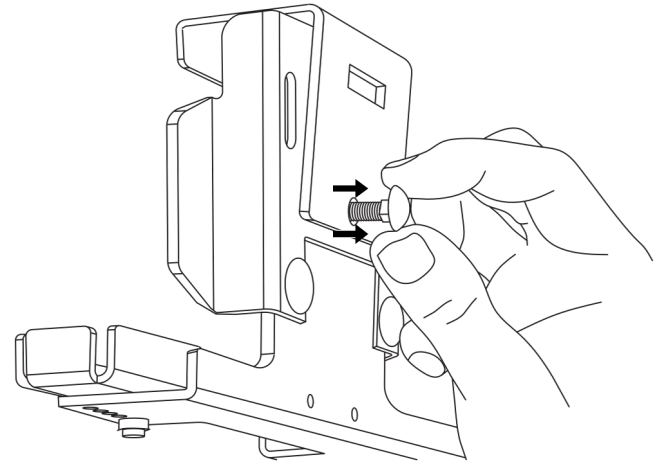
Continued on page 3



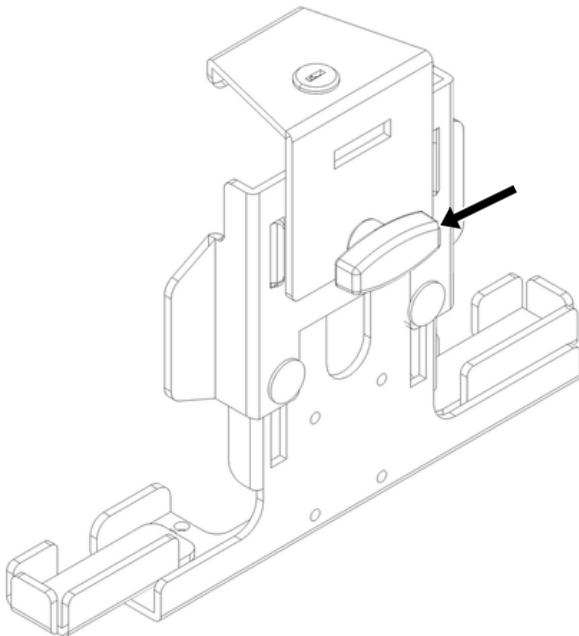
- 9** **Optional - Switch to Non-locking**
Take off the nut and washers from the front center of the holder that locks the position of the locking arm.



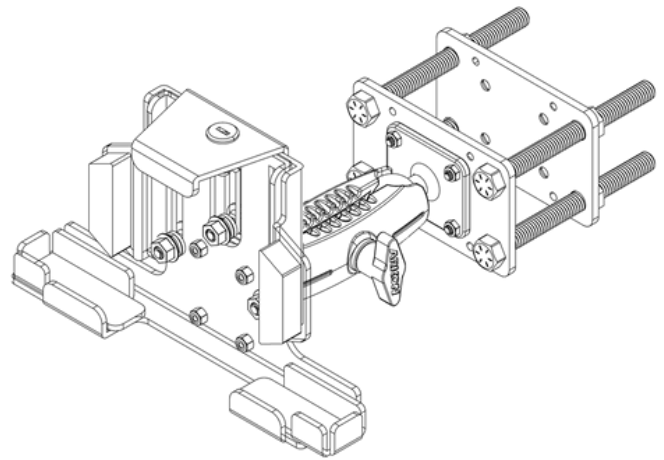
- 10** **Switch to Non-locking**
Pull screw out from the back of the locking arm. Re-insert screw to the front of the holder going through the locking arm.



- 11** **Switch to Non-Locking**
Secure the included knob by screwing it onto the back of the holder's locking arm.



- 12** **Fully Assembled**
Refer to the image below for the full assembled product.



WARNING

CHOKING HAZARD - Keep out of reach from children under 8 yrs. as they can choke or suffocate on parts included with this system

WARNING

Arkon® is not responsible for any damages caused to your device or yourself due to the installation or use of this mount. Do not install Arkon® products near areas that interfere with operation of vehicles. Arkon® assumes no responsibility or liability for injury or death as a result of failure to install in a safe location. Arkon® is not responsible for any damages caused to vehicles, product, or people due to the installation or use of this product.

