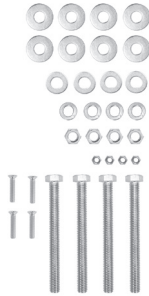


APFLBKTRC



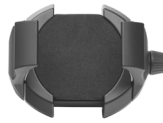
APMAMPS25MM



SP4FLIFT



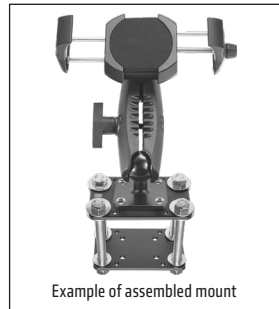
SP-12M-4M7



RVKNAMPS



SP-RM250



Example of assembled mount

**Package Contents:**

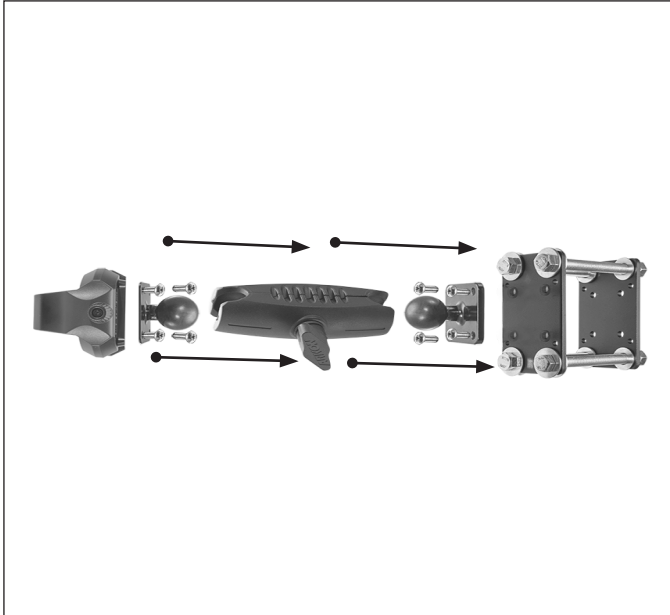
- (2) APFLBKTRC – 2.5" x 4" Black Steel Recessed Forklift Mounting Plate
- (1) SP4FLIFT – Installation Hardware
- (1) RVKNAMPS – RoadVise® Ultra Phone and Tablet Holder
- (1) SP-RM250 – Robust Mount Shaft
- (2) APMAMPS25MM – Metal AMPS to 25mm Ball Adapter
- (1) SP-12M-4M7 – Screw Pack

Each steel plate weighs just over .5 pounds and measures 4" x 2.5" x 1/4" (101mm x 64mm x 6mm).

FLBKTKN includes two steel mounting plates for placement on either side of the forklift pillar. Use the included recessed plate hardware to secure the recessed plate to the FRONT of the forklift pillar. Use the included 3/8-16x4" Tap Bolts with washers and nuts to secure the plates at each corner.

Arkon's RVKNAMPS RoadVise® Ultra holder fits devices with cases measuring 2.52 to 5.71 inches (64 to 145mm) wide. It features a cavity specially designed for use with the Apple MagSafe® Charger for charging iPhone and iPad mini while mounted. Use the adjustment knob on the end of the holder to set the width for your device.

**Tools needed:** Phillips screwdriver and 3/8 socket or wrench



**Safety Precautions**

Use caution during installation when handling heavy metal plates to avoid injury. Arkon assumes no responsibility of liability for injury or death due to the installation or use of this mount.

**ARKON MOUNTS**

Consumer Hotline:

USA (800) 841-0884

INT'L (626) 254-9005

Monday - Friday 9am - 5pm, PST

[www.arkon.com](http://www.arkon.com)

Arcadia, CA 91006 USA

Designed in USA | Made in USA and Taiwan

© Copyright 2022 Arkon Resources, Inc.