

APFLBKTRC



SP4FLIFT



SM040-2



APRM2T



SP-12M-4M7



SP-RM250



APMAMPS25MM



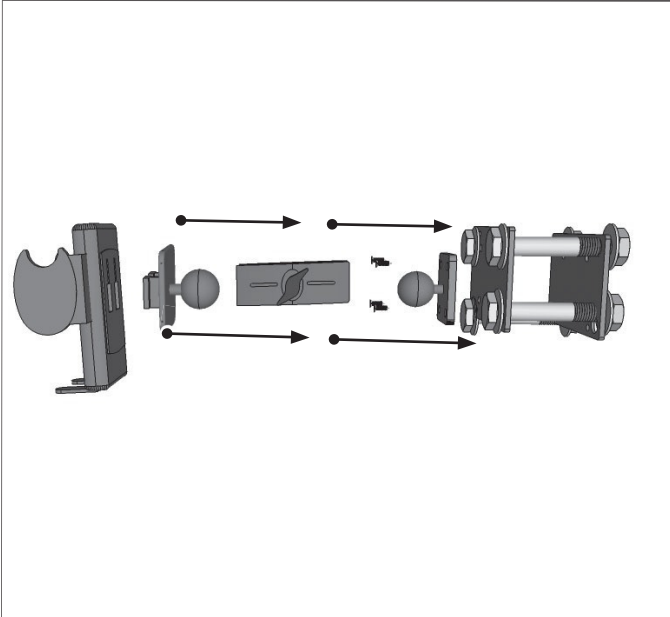
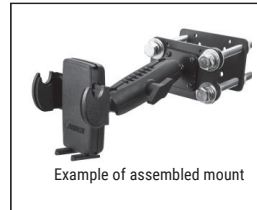
SPSCPOLT

Package Contents:

- (2) APFLBKTRC - 2.5" x 4" Black Steel Mounting Plate
- (1) SP4FLIFT - Hardware Pack
- (1) SM040-2 - Mega Grip Universal Smartphone Holder
- (1) SP-RM250 - Robust Mount Shaft
- (1) APMAMPS25MM - Metal AMPS to 25mm Ball Adapter
- (1) SP-12M-4M7 - Screw Pack
- (1) APRM2T - 25mm Ball to Dual T-Tab Adapter
- (1) SPSCPOLT - Screw cap pack(5) for 3/8 in bolts

Each steel plate weighs just over .5 pounds and measures 4" x 2.5" x 1/4" (101mm x 64mm x 6mm).

FLBKTSM4 includes two steel mounting plates for placement on either side of the forklift pillar. Use the included recessed plate hardware to secure the recessed plate to the FRONT of the forklift pillar. Use the included 3/8- 16x4" Tap Bolts with washers and nuts to secure the plates at each corner.



Safety Precautions

Use caution during installation when handling heavy metal plates to avoid injury. Arkon assumes no responsibility of liability for injury or death due to the installation or use of this mount.

ARKON MOUNTS

Consumer Hotline:
 USA (800) 841-0884
 INT'L (626) 254-9005
 Monday - Friday 9am - 5pm, PST

www.arkon.com
 Arcadia, CA 91006 USA
 Designed in USA | Made in USA
 © Copyright 2023 Arkon Resources, Inc.