

FLHLSTR

Includes:

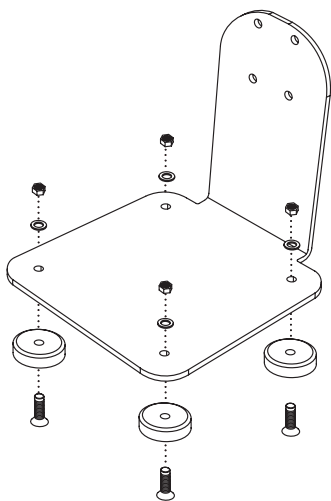
- 1 – Manual
- 5 – Stainless Steel Round Flat Washer (M5 x 10mm x 0.5mm)
- 5 – Stainless Steel Nylon Nut (M5 - 0.8 DIN 985 A2)
- 5 – DIN Phillips Flat head A2 Stainless Steel Machine Screw (M5-0.8 x 16mm)
- 1 – Mounting Bracket (FLIFT03)
- 4 – Base Magnets (SPMAG35MM)
- 1 – Composite Device Holster with Installation Hardware (SPHLSTR)

Note: We recommend using Loctite Threadlocker for locking screws and nuts in place

Prep: Clean the surface and make sure it is free of dirt, dust, and grease before installing the mounting hardware.

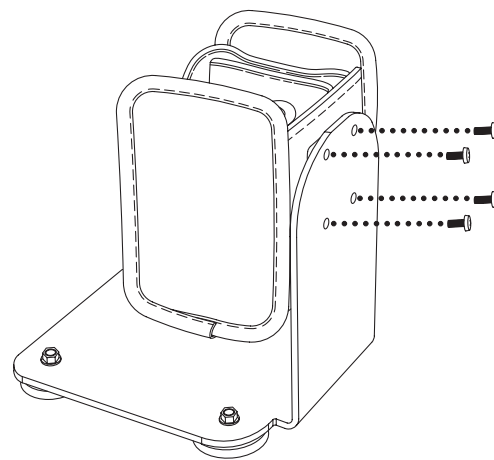
1 Assembling the magnetic kit

Remove all components from the packaging and assemble the mounting plate with the base magnets as seen in the diagram below.



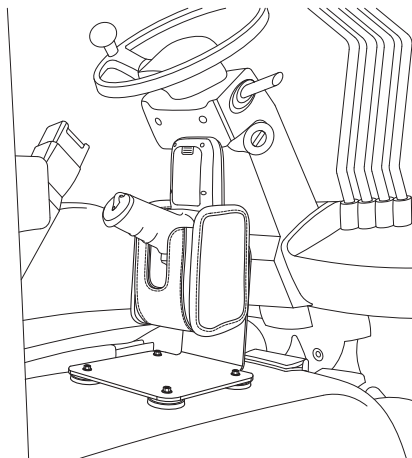
2 Installing the holster to the plate

With the mounting plate and base magnets assembled, proceed to assemble and install the device holster to the bracket.



3 Locate and prep the mounting location for the Device Holster Holder Plate.

Caution: If installing on a vehicle, take precautions to install the system in a location that does not interfere with operation.



WARNING

CHOKING HAZARD - Keep out of reach from children under 8 yrs. as they can choke or suffocate on parts included with this system

WARNING

Arkon® is not responsible for any damages caused to your device or yourself due to the installation or use of this mount. Do not install Arkon® products near areas that interfere with operation of vehicles. Arkon® assumes no responsibility or liability for injury or death as a result of failure to install in a safe location. Arkon® is not responsible for any damages caused to vehicles, product, or people due to the installation or use of this product.

