

**FLHLSTRXL**

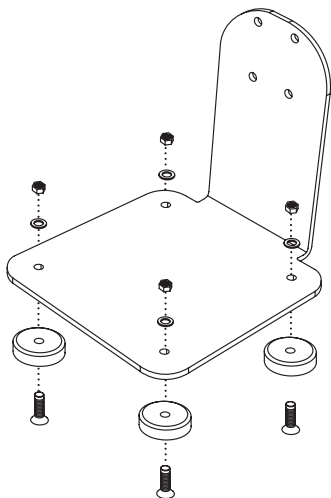
## Includes:

- 1 – Manual
- 5 – Stainless Steel Round Flat Washer (M5 x 10mm x 0.5mm)
- 5 – Stainless Steel Nylon Nut (M5 - 0.8 DIN 985 A2)
- 5 – DIN Phillips Flat head A2 Stainless Steel Machine Screw (M5-0.8 x 16mm)
- 1 – Mounting Bracket (FLIFT03)
- 4 – Base Magnets (SPMAG35MM)
- 1 – Composite Device Holster with Installation Hardware (SPHLSTRXL)

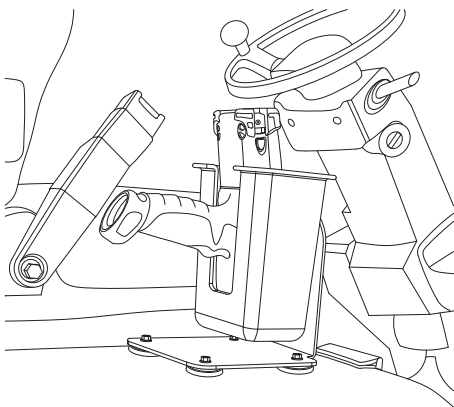
**Note:** We recommend using Loctite Threadlocker for locking screws and nuts in place

**Prep:** Clean the surface and make sure it is free of dirt, dust, and grease before installing the mounting hardware.

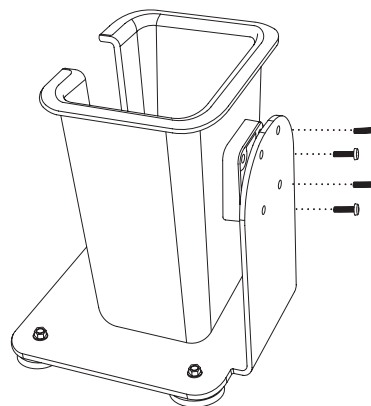
- 1 Assembling the magnetic kit**  
Remove all components from the packaging and assemble the mounting plate with the base magnets as seen in the diagram below.



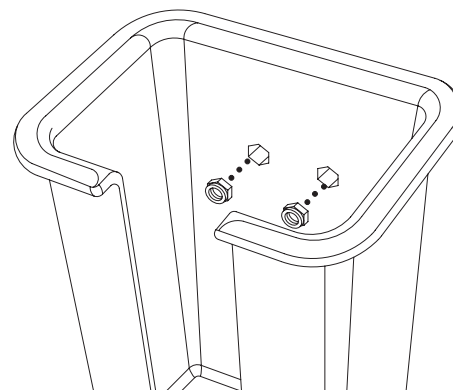
- 3** Locate and prep the mounting location for the Device Holster Holder Plate.  
**Caution:** If installing on a vehicle, take precautions to install the system in a location that does not interfere with operation.



- 2 Installing the holster to the plate**  
**Diagram A**  
With the mounting plate and base magnets assembled, proceed to assemble and install the device holster to the bracket. Position the nuts inside the device holster nut cavities and install the mounting screws.



- Diagram B**  
With the nuts positioned and held inside the holster cavities, insert the screws and hand tighten. Complete the installation by tightening the screws with a screwdriver.



**WARNING**  
CHOKING HAZARD - Keep out of reach from children under 8 yrs. as they can choke or suffocate on parts included with this system

**WARNING**  
Arkon® is not responsible for any damages caused to your device or yourself due to the installation or use of this mount. Do not install Arkon® products near areas that interfere with operation of vehicles. Arkon® assumes no responsibility or liability for injury or death as a result of failure to install in a safe location. Arkon® is not responsible for any damages caused to vehicles, product, or people due to the installation or use of this product.

