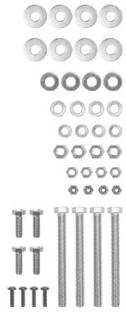


APLIFT



SP10FLIFT



SPRM256B



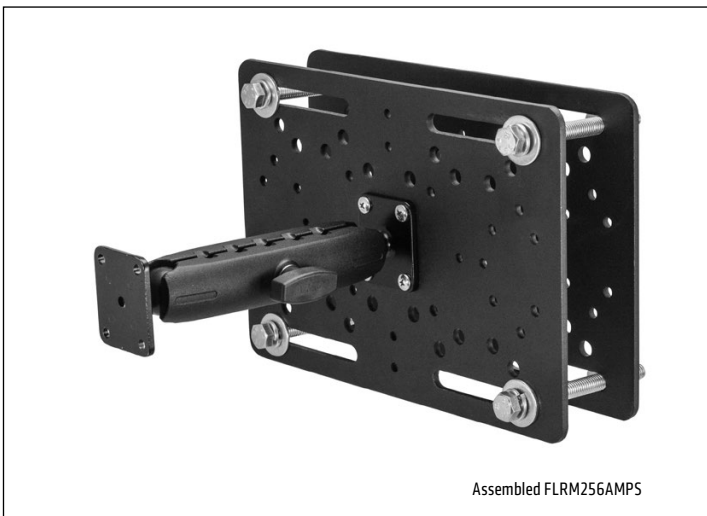
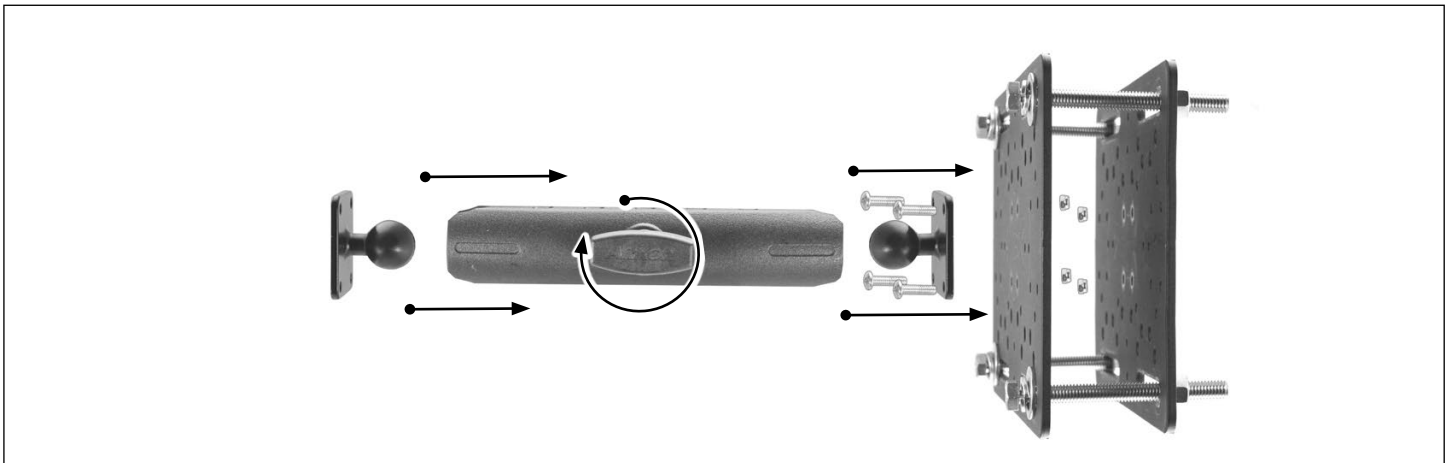
APMAMPS25MM

Package Contents:

- (1) **SPRM256B** – 6" 25mm Robust Mount Shaft
- (2) **APLIFT** – 7" X 10" Black Steel Forklift Mounting Plate
- (1) **SP10FLIFT** – Hardware Pack
- (2) **APMAMPS25MM** – Metal AMPS to 25mm Ball Adapter

FLRM256AMPS includes two metal mounting plates for placement on either side of the forklift guard. Use the included 3/8"-16 x 4" Tap Bolts with washers and nuts to secure the plates at each corner.

Each steel plate weighs just over 3 pounds and measures 10" x 7" x 1/8". Multiple size holes (4.9mm, 5.7mm, and 8.5mm) as well as hole patterns are pre-drilled into the plate, including 4-Hole AMPS, VESA 75, VESA 100, and Gamber-Johnson 2" x 4.09" for mounting multiple types of devices.



Assembled FLRM256AMPS

⚠ Safety Precautions

Use caution during installation when handling heavy metal plates to avoid injury. Arkon assumes no responsibility of liability for injury or death due to the installation or use of this mount.

ARKON MOUNTS

Consumer Hotline:
USA (800) 841-0884
INT'L (626) 254-9005
 Monday - Friday 9 am - 5 pm, PST

www.arkon.com
 Arcadia, CA 91006 USA
 Designed in USA | Made in Taiwan and USA
 © Copyright 2019 Arkon Resources, Inc.