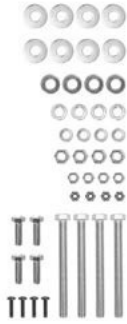


APFLIFT



SP10FLIFT



TAB004KL-B



SP-RM250



APMAMPS25MM



SP-12M-4M7



SPSCPOLT

Package Contents:

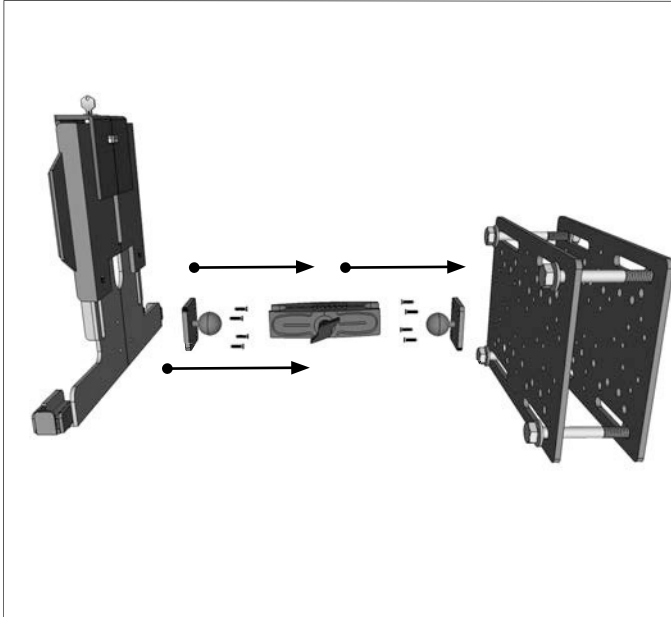
- (2) 7"x10" black steel forklift mounting plate (APFLIFT)
- (1) Hardware pack (SP10FLIFT)
- (1) Universal Locking Tablet Holder with kit (TAB004KL-B)
- (1) Robust mount shaft (SP-RM250)
- (2) Metal AMPS to 25mm ball adapter (APMAMPS25MM)
- (1) Screw pack (SP-12M-4M7)
- (1) Screw cap pack(5) for 3/8 in bolts (SPSCPOLT)

Each steel plate weighs just over 3 pounds and measures 10" x 7" x 1/8". Multiple size holes (4.9mm, 5.7mm, and 8.5mm) as well as hole patterns are pre-drilled into the plate, including 4-Hole AMPS, VESA 75, VESA 100, and Gamber-Johnson 2" x 4.09" for mounting multiple types of devices.

FLRMTAB04 includes two metal mounting plates for placement on either side of the forklift guard. Use the included 3/8-16 x 4" Tap Bolts with washers and nuts to secure the plates at each corner.



Example of assembled mount



WARNING

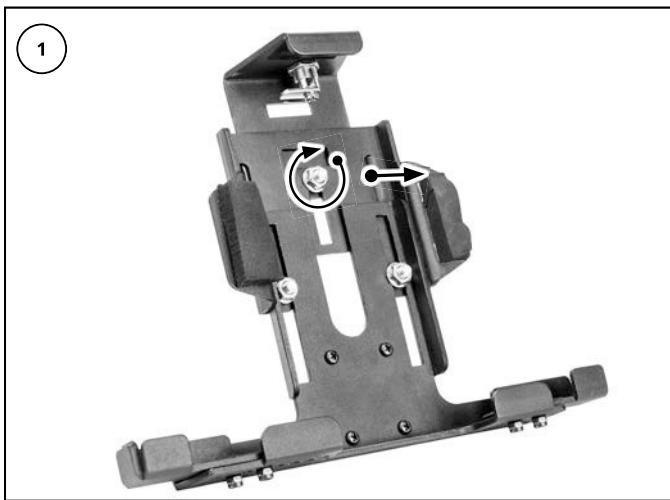
CHOKING HAZARD - Keep out of reach from children under 8 yrs. as they can choke or suffocate on parts included with this system

WARNING

Arkon® is not responsible for any damages caused to your device or yourself due to the installation or use of this mount. Do not install Arkon® products near areas that interfere with operation of vehicles. Arkon® assumes no responsibility or liability for injury or death as a result of failure to install in a safe location. Arkon® is not responsible for any damages caused to vehicles, product, or people due to the installation or use of this product.



To convert the metal locking tablet holder to a NON-LOCKING option:



Remove nut from the center of the front of the holder.



Pull screw out from the back of the holder.



Re-insert screw to the front of the holder.



Attach knob to screw on the back of the holder.

WARNING

CHOKING HAZARD - Keep out of reach from children under 8 yrs. as they can choke or suffocate on parts included with this system

WARNING

Arkon® is not responsible for any damages caused to your device or yourself due to the installation or use of this mount. Do not install Arkon® products near areas that interfere with operation of vehicles. Arkon® assumes no responsibility or liability for injury or death as a result of failure to install in a safe location. Arkon® is not responsible for any damages caused to vehicles, product, or people due to the installation or use of this product.

