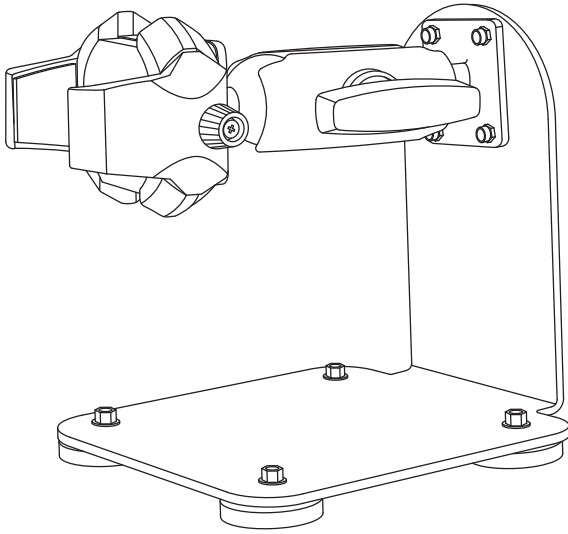


FLRVRM38



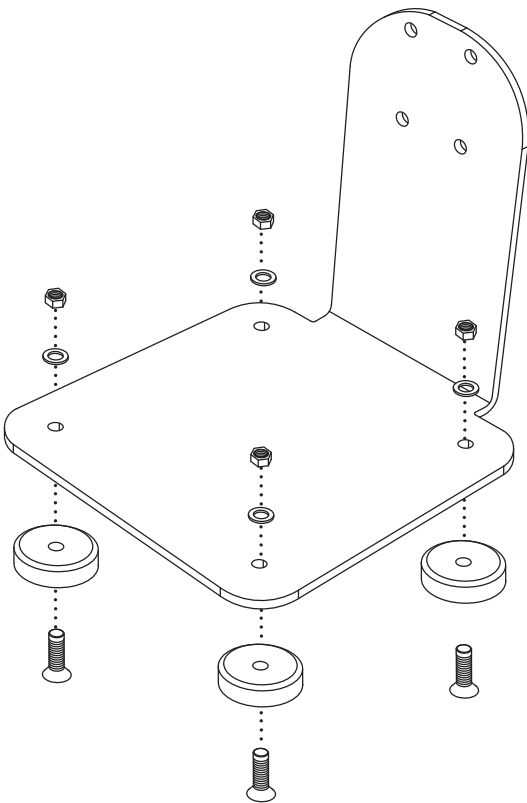
Includes:

- 1 – Manual
- 5 – Washers (M5 x 10mm x 0.5mm Stainless Steel Round Flat)
- 5 – Nylon Nut (M5-0.8 DIN 985 A2 Stainless Steel)
- 5 – Screws (M5-0.8 x 16mm DIN Phillips Flat Head A2 Stainless Steel Machine)
- 1 – Mounting Bracket (FLIFT03)
- 4 – Base Magnets (SPMAG35MM)
- 1 – 38mm Double Ball Mount (RM38352XMAMPS)
- 4 – Screws (Pan Head Phillips M4 x 0.7mm Thread, 14mm Long)
- 4 – Nylon-Insert Locknut (M4 x 0.7mm Thread, 5mm High)
- 1 – RoadVise Ultra Phone Holder (RVKNAMPS)
- 2 – Foam Padding (4 Long, 2 Medium, 4 Short)
- 4 – Screws (M4 x 10mm)

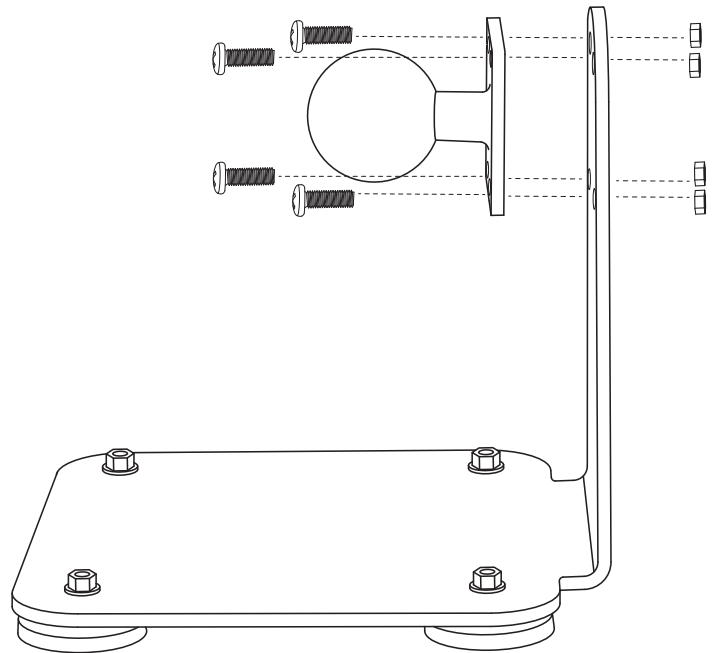
Note: Different types of screws are included with this system. Please consider keeping components sealed until needed during the installation process to avoid confusion

Important: Clean the application surface and make sure it is free of dirt, dust, and grease before installing the mounting hardware.

1 Assembling the SteadyMag magnetic plate kit
Remove all components from the packaging and assemble the mounting plate with the base magnets as seen in the diagram below.

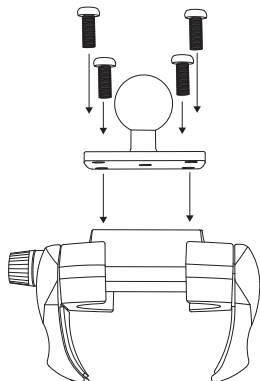


2 Installing the 38mm ball mount to the SteadyMag base plate
Locate the packaging with the double ball adapters and shaft arm. Locate the packaging with the four mounting screws and nuts. Take out the double ball mount and put one of the ball adapters on top of the mounting plate's four screw insertion holes. Use the provided screws and nuts to attach it, following the diagram.



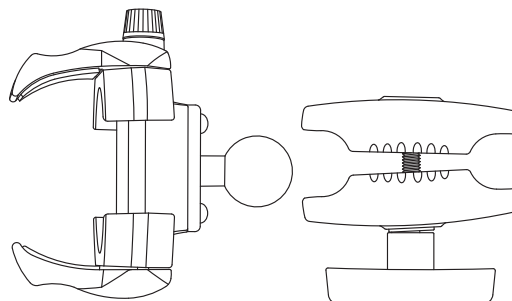
3 Installing the ball adapter to the RoadVise Ultra Phone and Tablet Holder

Locate the packaging that contains the phone holder and installation hardware. Also, locate the second 38mm ball adapter. After that, install the four mounting screws by putting them through the ball adapter plate and into the phone holder below.



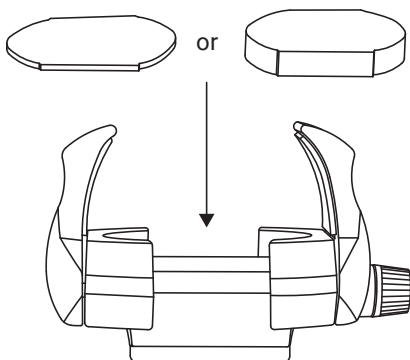
4 Assembling the shaft arm to the RoadVise phone holder and magnetic mounting plate

To install the mount, you'll need to first connect the phone holder and mounting plate to the shaft arm. This step is important for ensuring that your mount is securely in place and ready to use.



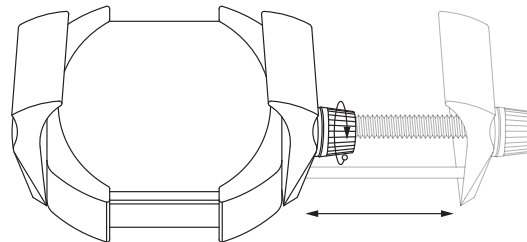
5 Optional - Installing the foam padding if not using a MagSafe charger

Locate the packaging that includes the foam padding with adhesive strips. Apply the adhesive strips to the back of the foam pad and insert into the phone holder cavity.



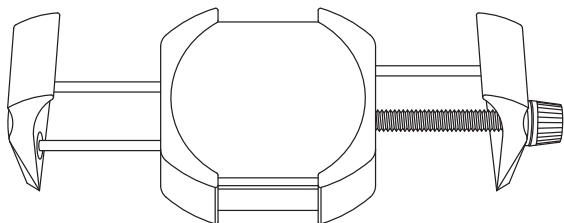
6 Adjust the RoadVise phone holder

To extend the phone holder for larger devices, turn the center knob on the holder. This will lock the non-spring loaded arm in a secure position to support your device.



7 Install device into the RoadVise phone holder

To install your device, start by extending the spring-loaded arm. Then, position your device securely against the non-spring-loaded arm and rest it on the holder platform. Finally, release the spring-loaded arm to secure your device firmly in place.



WARNING
CHOKING HAZARD - Keep out of reach from children under 8 yrs. as they can choke or suffocate on parts included with this system

WARNING
Arkon® is not responsible for any damages caused to your device or yourself due to the installation or use of this mount. Do not install Arkon® products near areas that interfere with operation of vehicles. Arkon® assumes no responsibility or liability for injury or death as a result of failure to install in a safe location. Arkon® is not responsible for any damages caused to vehicles, product, or people due to the installation or use of this product.

