

FLTAB001RM38

Includes:

- 1 – Manual
- 5 – Washers (M5 x 10mm x 0.5mm Stainless Steel Round Flat)
- 5 – Nylon Nut (M5-0.8 DIN 985 A2 Stainless Steel)
- 5 – Screws (M5-0.8 x 16mm DIN Phillips Flat Head A2 Stainless Steel Machine)
- 1 – Mounting Bracket (FLIFT03)
- 4 – Base Magnets (SPMAG35MM)
- 1 – 38mm Double Ball Mount (RM38352XMAMPS)
- 4 – Screws (Pan Head Phillips M4 x 0.7mm Thread, 14mm Long)
- 4 – Nylon-Insert Locknut (M4 x 0.7mm Thread, 5mm High)
- 1 – Tablet Holder (TAB001-AMPS)
- 10 – Adjustment Legs (4 Long, 2 Medium, 4 Short)
- 4 – Screws (M4 x 10mm)

Note: Different types of screws are included with this system. Please consider keeping components sealed until needed during the installation process to avoid confusion

Important: Clean the application surface and make sure it is free of dirt, dust, and grease before installing the mounting hardware.

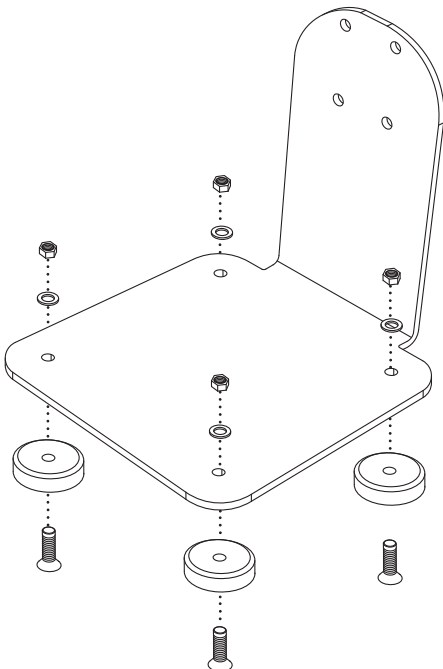
Leg selection guide

Recommended legs to use based on tablet size with or without a case

- For tablets size *min 6" to 8.25" max* we recommend using 4 small legs
- For tablets size *min 6.75" to 9.12" max* we recommend using 2 small legs and 2 medium legs
- For tablets size *min 8.31" to 10.75" max* we recommend using 2 medium legs and 2 large legs
- For tablets size *min 9.12" to 11.50" max* we recommend using 4 large legs

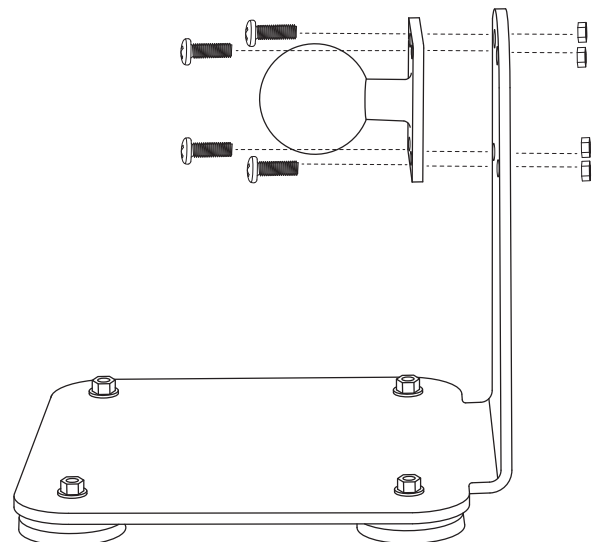
1 Assembling the SteadyMag magnetic plate kit

Remove all components from the packaging and assemble the mounting plate with the base magnets as seen in the diagram below.

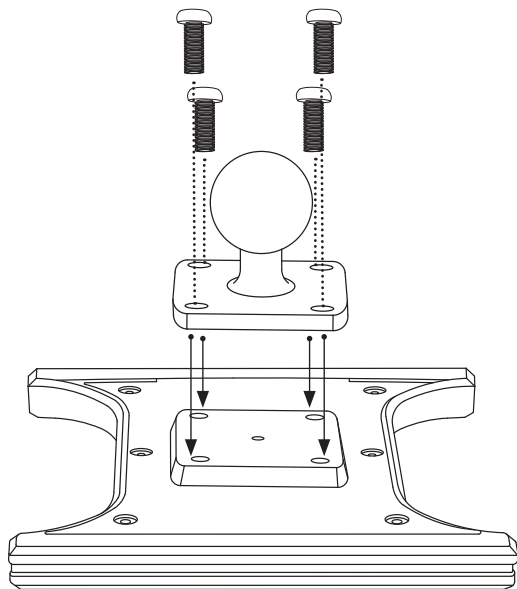


2 Installing the 38mm ball mount to the SteadyMag base plate

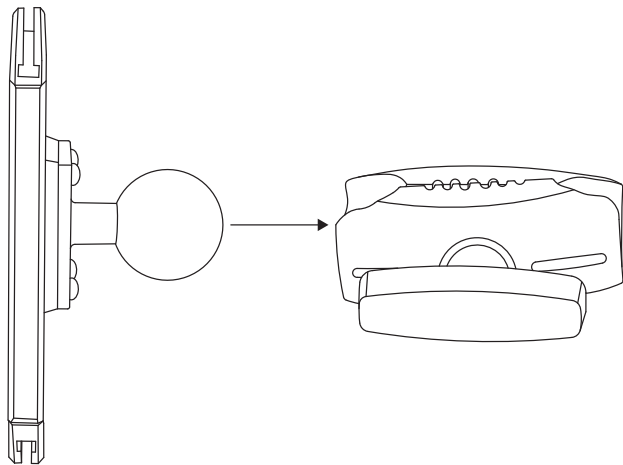
Locate the packaging with the double ball adapters and shaft arm. Locate the packaging with the four mounting screws and nuts. Take out the double ball mount and put one of the ball adapters on top of the mounting plate's four screw insertion holes. Use the provided screws and nuts to attach it, following the diagram



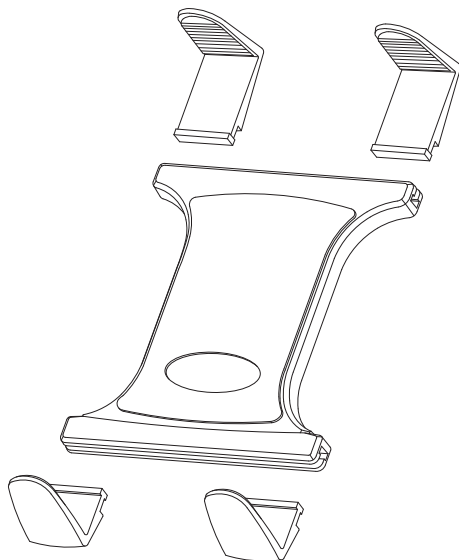
3 Installing the ball adapter to the Slim-Grip Holder
 Locate the packaging that contains the tablet holder, adjustable legs, and installation hardware. Also, locate the second 38mm ball adapter. After that, install the four mounting screws by putting them through the ball adapter plate and into the tablet holder.



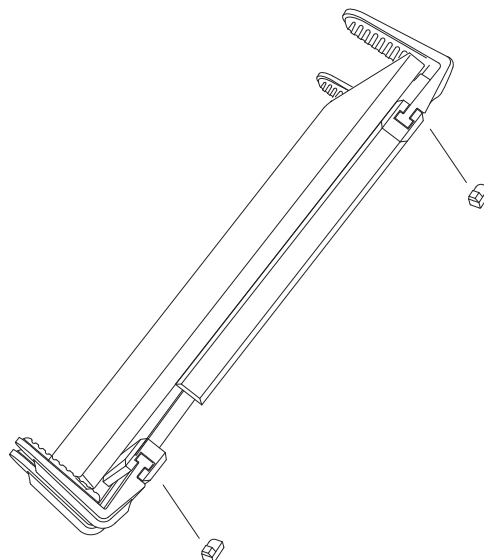
4 Assembling the shaft arm to the tablet holder and magnetic mounting plate
 To install the mount, you'll need to first connect the tablet holder and mounting plate to the shaft arm. This step is important for ensuring that your mount is securely in place and ready to use.



5 Installing the adjustment legs to the tablet holder
 Locate the packaging that includes the adjustment legs. Select the adjustment legs needed for your device by using the Leg Selection Guide listed above. Insert each adjustment leg into the corner of the tablet holder.



6 Optional - Installing the support stoppers if needed
 Locate the packaging that includes the support stoppers. Apply each stopper to each edge of the tablet holder.



WARNING
 CHOKING HAZARD - Keep out of reach from children under 8 yrs. as they can choke or suffocate on parts included with this system

WARNING
 Arkon® is not responsible for any damages caused to your device or yourself due to the installation or use of this mount. Do not install Arkon® products near areas that interfere with operation of vehicles. Arkon® assumes no responsibility or liability for injury or death as a result of failure to install in a safe location. Arkon® is not responsible for any damages caused to vehicles, product, or people due to the installation or use of this product.

