



GN032-SBH-AMPS

Package Contents:

(1) GN032-SBH-AMPS - Handlebar mount with 4-Hole AMPS pattern plate and screws/nuts

Compatible with:

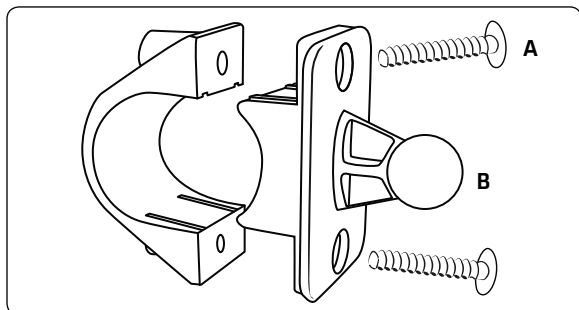
- Most 4-Hole AMPS pattern GPS and satellite radio devices
- Most Garmin 17mm ball connections

Fits on handlebars measuring up to 33 mm in diameter.

Three spacer/adaptor rings of different widths are included with the mount. Choose the appropriate size for optimum mounting to your handlebar.

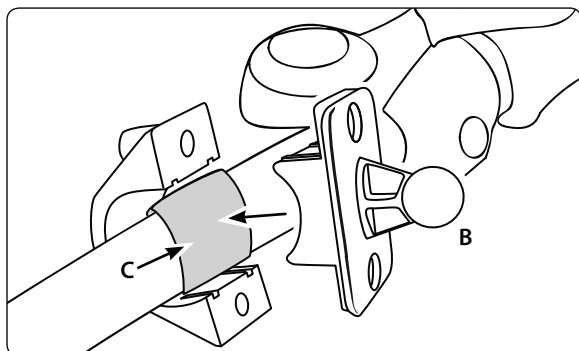
Handlebar Mounting

- Step 1. Choose a safe location on the handlebar of your bicycle or motorcycle in which to mount the pedestal.
- Step 2. Using a screwdriver, remove the two mounting screws (A) in order to release the 17mm ball plate (B) so the mount can be placed around the handlebar.

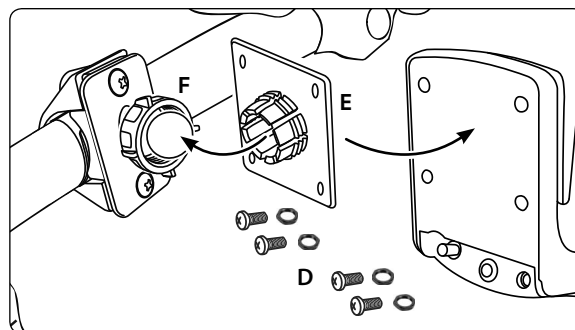


Do not reposition the pedestal while cycling or driving. Arkon Resources, Inc. does not promote the adjustment of mobile devices except when the bicycle or vehicle is safely parked or stopped.

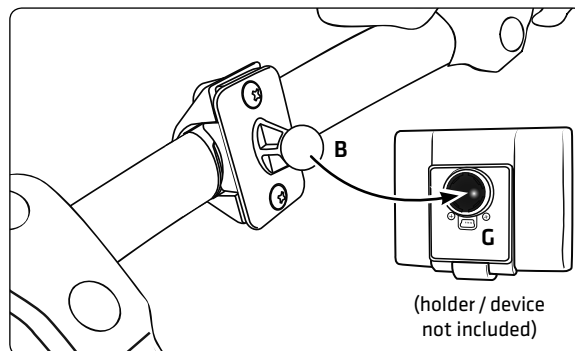
- Step 3. Wrap the rubber rings (C) around handlebar and reassemble the 17mm ball plate (B) around the rubber rings. Secure the mount assembly by using the screwdriver to retighten the two mounting screws.

**Attaching a 4-Hole AMPS Device to Handlebar Mount**

- Step 1. Use the included 4 screws and nuts (D) to attach the adapter plate (E) to the back of the 4-Hole AMPS pattern device. (not included, sold separately).
- Step 2. Slip the swivel tightening ring (F) over the 17mm ball and insert the back of the adapter plate onto the ball head. Screw the swivel tightening ring into the threads on the back of the adapter plate. Adjust the angle of the device.

**Attaching a Garmin Device to Handlebar Mount**

- Step 1. To attach a Garmin device (not included, sold separately), remove the swivel tightening ring and adapter plate. Insert the ball head (B) into the cavity (G) in the back of the device.



Garmin and nüvi product names are trademarks or registered trademarks of Garmin International. Arkon Resources, Inc. is not affiliated with Garmin Intl.

**Safety Precaution:**

Arkon **strongly recommends** using a securing strap to provide extra protection for your device. Failure to do so may result in damage to your device. Do not operate portable devices while riding. Arkon Resources, Inc. assumes no liability for safety of bicycle rider or portable device.

Arkon is not responsible for any damages caused to your vehicle, your device, or yourself due to the installation or use of this mount.

ARKON[®]
RESOURCES INC. The Mobile Mounting Specialists™

Consumer Hotline:

USA (800) 841-0884

INT'L (626) 254-9005

Monday - Friday 9 am - 5 pm, PST

www.arkon.com

Arcadia, CA 91006 USA

Designed in USA | Made in Taiwan

© Copyright 2015 Arkon Resources, Inc.