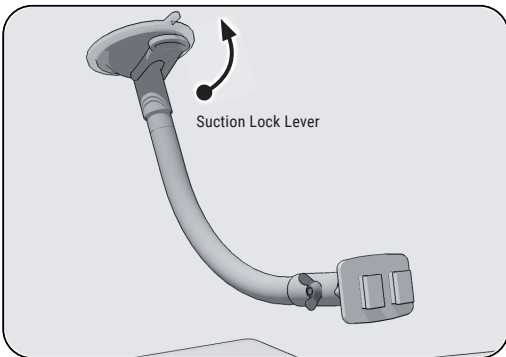




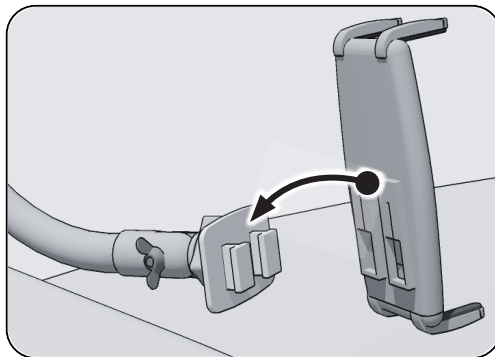
Includes:

- 1 - Windshield Suction Mount with Gooseneck (GN042)
- 1 - Dual-T Head with 4 Threads (SP-SB-2T-4)
- 1 - 17mm Tightening Ring (SP-SB-RING)
- 1 - Alcohol Pad (XACP)

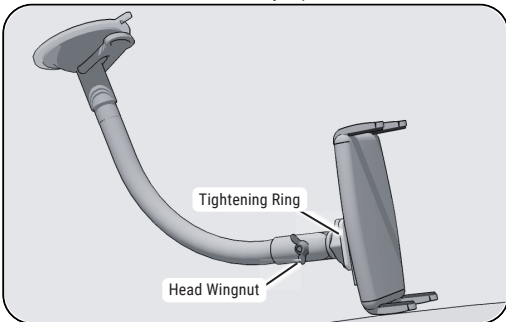
1 **Installing the Suction Cup on the Windshield**
 Make sure the suction cup is clean and free of any dust or debris that may affect its grip. Press the suction cup firmly against the windshield and engage the locking mechanism by flipping the lever into place. Ensure that the mount is stable and securely attached before proceeding.



2 **Connecting an Arkon Dual-T holder to the Pedestal**
 Carefully align the Dual-T tabs on the device holder with the corresponding slots on the pedestal. Once aligned, gently slide the device holder onto the pedestal until it securely locks into place.



3 **Adjusting the Mount**
 To ensure the perfect fit for your device, make sure to position it securely and comfortably before tightening it. Once you have made the necessary adjustments, double-check the stability of the mount to ensure it is firmly in place.



WARNING
 CHOKING HAZARD - Keep out of reach from children under 8 yrs. as they can choke or suffocate on parts included with this system

WARNING
 Arkon® is not responsible for any damages caused to your device or yourself due to the installation or use of this mount. Do not install Arkon® products near areas that interfere with operation of vehicles. Arkon® assumes no responsibility or liability for injury or death as a result of failure to install in a safe location. Arkon® is not responsible for any damages caused to vehicles, product, or people due to the installation or use of this product.

