



Package Contents:

GN079 – Sticky Suction Windshield Pedestal Mount

SP-SB-1T-B – Single-T Ball Head

SP-SB-RING – Adjustment Ring

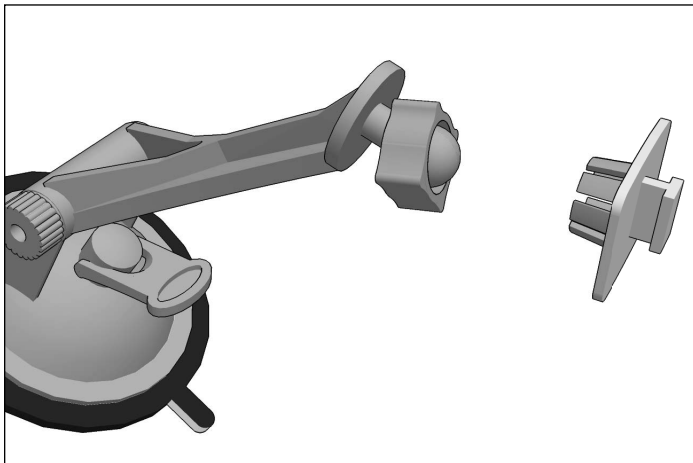
AP013 – Optional Adhesive Dash Mounting Disk

DASHBOARD MOUNTING WARNING: THE STICKY SUCTION PEDESTAL SHOULD NOT BE USED ON SOME TYPES OF DASHBOARDS. IT MAY LEAVE A PERMANENT INDENTATION ON DASHBOARD SURFACES MADE OF SOFT VINYL, LEATHER, OR SIMILAR MATERIALS. TO PREVENT PERMANENT INDENTATION MARKS, USE THE INCLUDED ADHESIVE MOUNTING DISK WHEN MOUNTING ON SOFT DASHBOARD SURFACES.

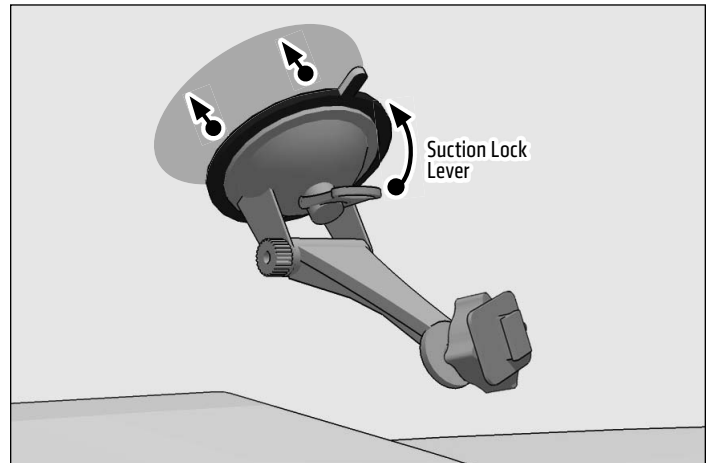
IMPORTANT: Some dashboards with heavily textured or porous surfaces may require you to push down on the suction base while engaging the suction lock lever to achieve the suction required to hold the mount in place.

*If the sticky suction base becomes dirty or loses stickiness, rinse under warm water with mild liquid soap and let air dry.

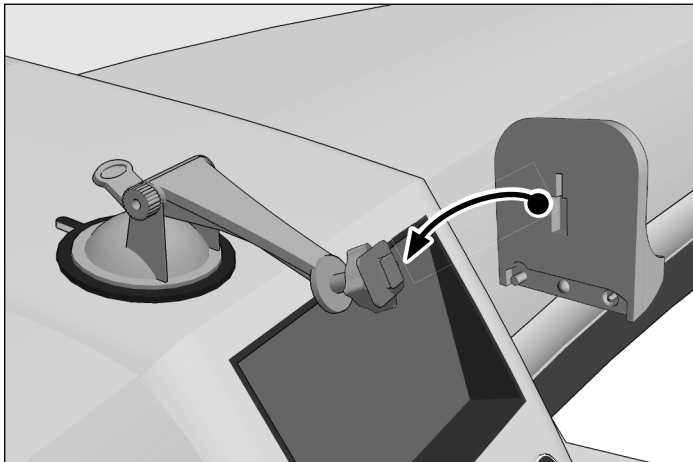
- 1 Slide adjustment ring over the pedestal ball and firmly insert the T-Tab head. Tighten the adjustment ring and adjust angle.



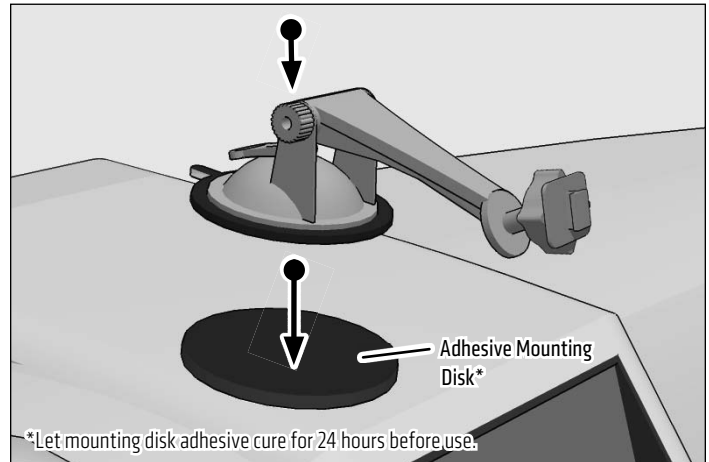
- 2 Attach pedestal to windshield or dashboard, engage suction lock.



- 3 Insert Single T-Tab into slot on satellite radio cradle (sold separately, not included).



OPTIONAL: For use on soft vinyl or leather dashboards, use included adhesive mounting disk*.



! Safety Precautions

Do not install Arkon products over an air bag cover or within the air bag deployment zone. Arkon Resources, Inc. assumes no responsibility of liability for injury or death as a result of car crashes and / or air bag deployment.

Arkon is not responsible for any damages caused to your vehicle, your device, or yourself due to the installation or use of this mount.

ARKON
RESOURCES INC.

The Mobile Mounting Specialists™

Consumer Hotline:

USA (800) 841-0884

INT'L (626) 254-9005

Monday - Friday 9 am - 5 pm, PST

www.arkon.com

Arcadia, CA 91006 USA

Designed in USA | Made in Taiwan

© Copyright 2014 Arkon Resources, Inc.