

Package Contents:

GN079-SBH – Multi-Surface Sticky Suction Mount
 AP013 – Adhesive Mounting Disk

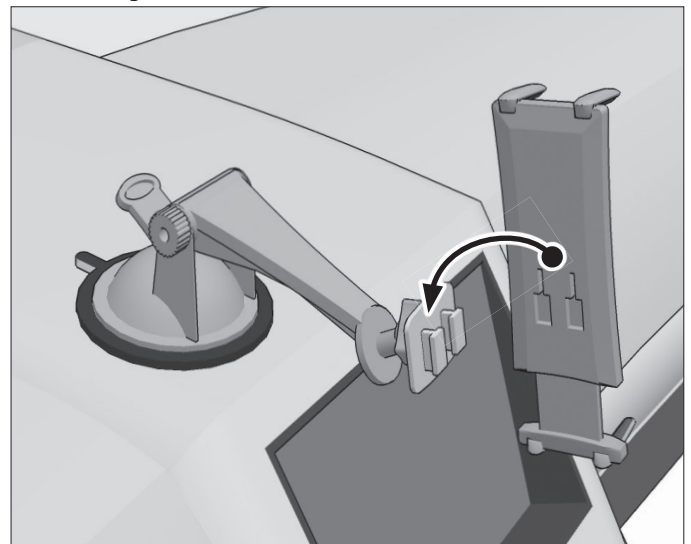
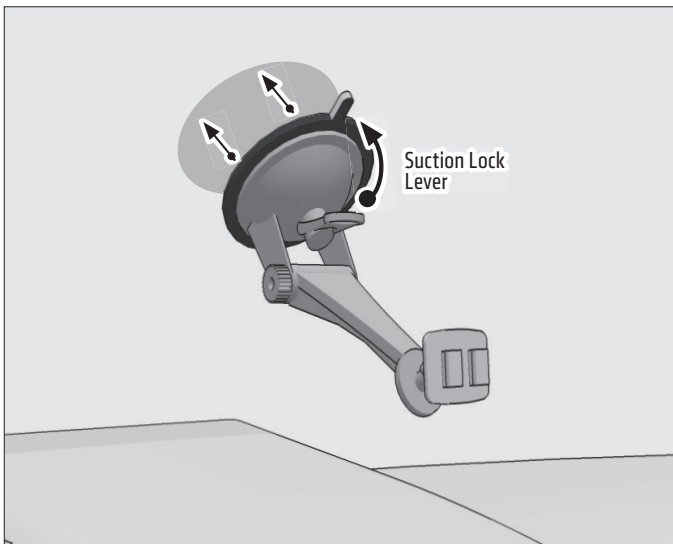
DASHBOARD MOUNTING WARNING: THE STICKY SUCTION PEDESTAL SHOULD NOT BE USED ON SOME TYPES OF DASHBOARDS. IT MAY LEAVE A PERMANENT INDENTATION ON DASHBOARD SURFACES MADE OF SOFT VINYL, LEATHER, OR SIMILAR MATERIALS. TO PREVENT PERMANENT INDENTATION MARKS, USE THE INCLUDED ADHESIVE MOUNTING DISK WHEN MOUNTING ON SOFT DASHBOARD SURFACES.

IMPORTANT: Some dashboards with heavily textured or porous surfaces may require you to push down on the suction base while engaging the suction lock lever to achieve the suction required to hold the mount in place.

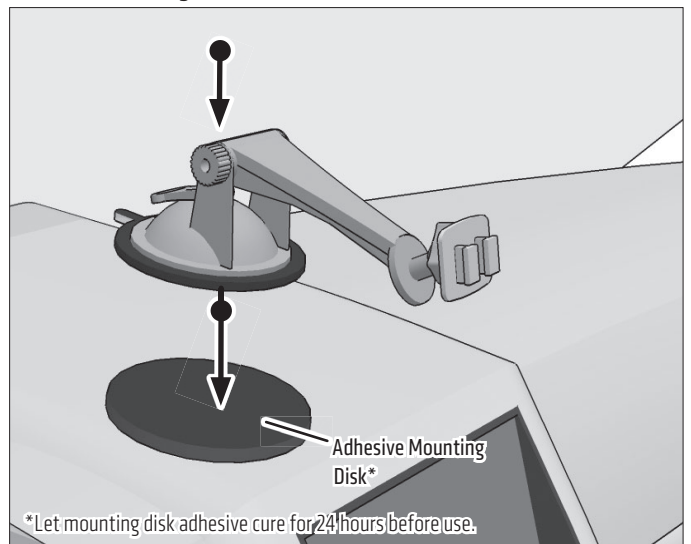
*If the sticky suction base becomes dirty or loses stickiness, rinse under warm water with mild liquid soap and let air dry.

1 Attach pedestal to dash or windshield, engage suction lock.

2 Attach holder (sold separately, not included) to pedestal by inserting the Dual T-Tabs into the Dual T-Slots.



OPTIONAL: For use on soft vinyl or leather dashboards, use included adhesive mounting disk*.



Safety Precautions

Do not install Arkon products over an airbag cover or within the airbag deployment zone. Arkon Resources, Inc. assumes no responsibility of liability for injury or death as a result of car crashes and / or airbag deployment.

Arkon is not responsible for any damages caused to your vehicle, your device, or yourself due to the installation or use of this mount.

ARKON MOUNTS

Consumer Hotline:

USA (800) 841-0884

INT'L (626) 254-9005

Monday - Friday 9am - 5pm, PST

www.arkon.com

Arcadia, CA 91006 USA

Designed in USA | Made in China

© Copyright 2019 Arkon Resources, Inc.