



GN086-12-SBH

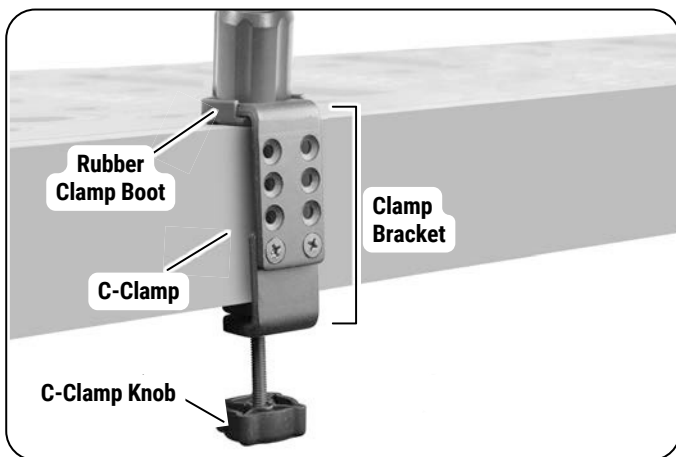
**Includes:**

1 – Aluminum Mounting Pedestal with 12" Gooseneck (GN086-12-SBH)

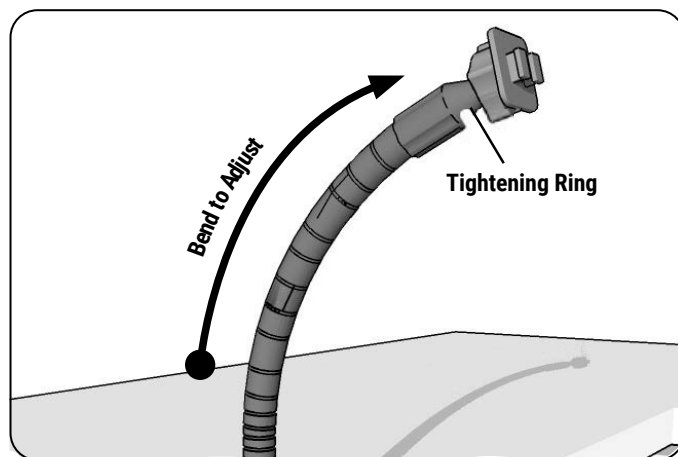
Optional - (1) Rubber Clamp Boot

Clamp opening: 0" - 3" (0mm - 76mm)

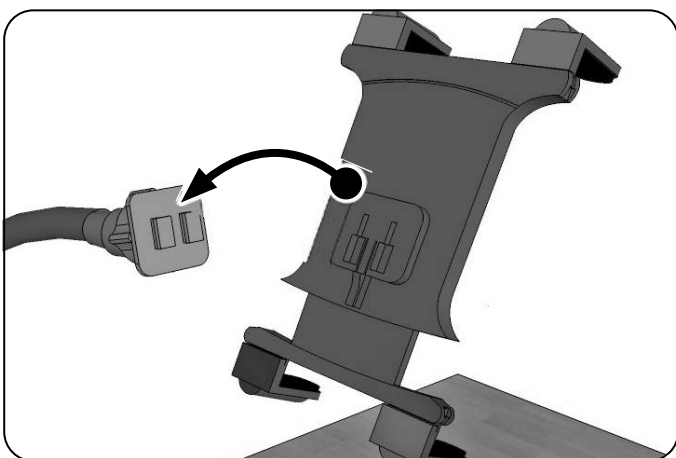
- 1** Attach the mount clamp by rotating the C-Clamp knob. Use a Phillips screwdriver to adjust the clamp bracket position. Optionally, slide a rubber boot onto the top of the mount's clamp to prevent scratches if preferred.



- 2** Adjust the position of the mount by firmly bending the neck. Ball head can also be adjusted via the tightening ring.



- 3** Attach a compatible device holder by inserting the Dual T-Tabs on the pedestal head into the Dual T-Slots of the holder.

**WARNING**

CHOKING HAZARD - Keep out of reach from children under 8 yrs. as they can choke or suffocate on parts included with this system

**WARNING**

Arkon® is not responsible for any damages caused to your device or yourself due to the installation or use of this mount. Do not install Arkon® products near areas that interfere with operation of vehicles. Arkon® assumes no responsibility or liability for injury or death as a result of failure to install in a safe location. Arkon® is not responsible for any damages caused to vehicles, product, or people due to the installation or use of this product.

