



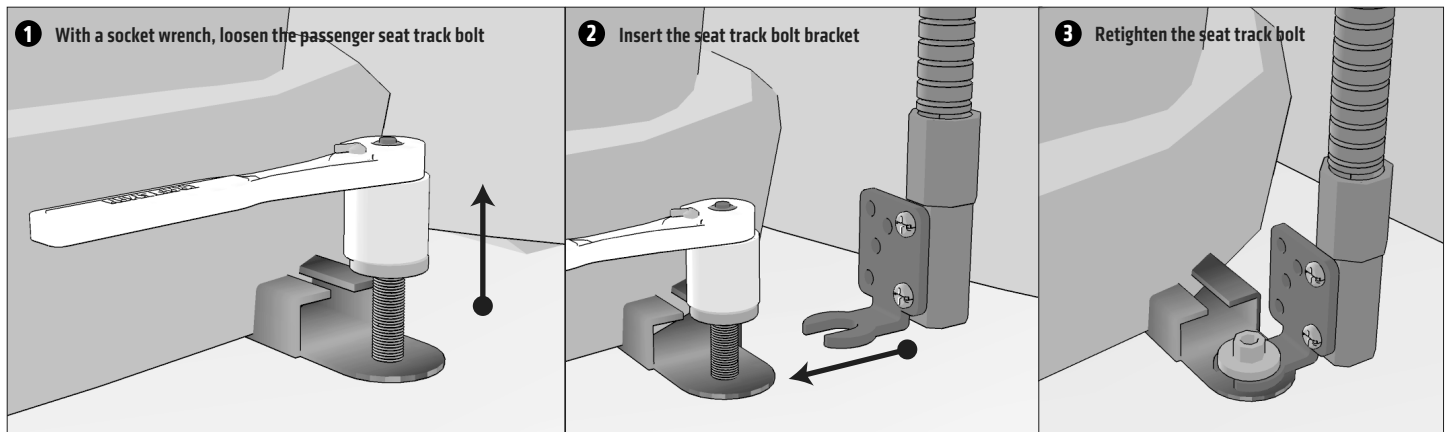
Package Contents:

GN088-L22-SBH – 22" Flexible Aluminum Seat Rail or Floor Mount

Do not place mount in or near an air bag deployment zone or where it will obstruct view of the road.

Passenger Seat Bolt Mounting

Install using the passenger seat track bolt.



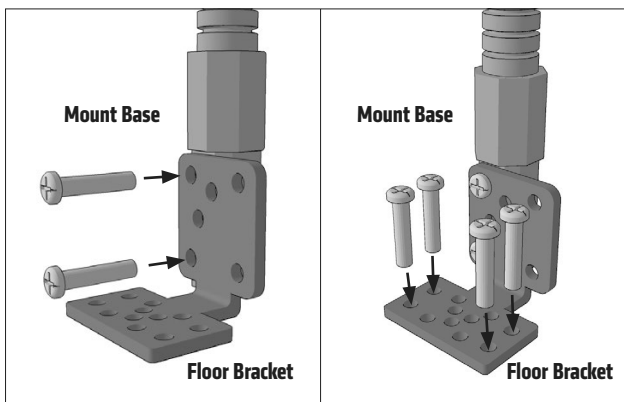
Alternative Floor or Console Mounting

For a more permanent mount, connect the floor / console mount bracket to the floor or console. This will require drilling into your vehicle's interior surface.

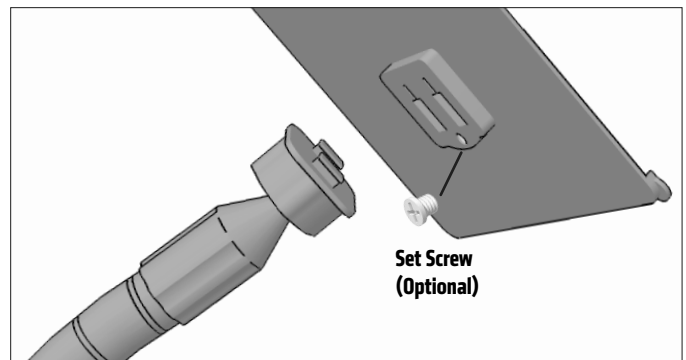
Drilling into the dash, floor, or console will permanently damage the vehicle. Use caution and consult a mobile install professional to avoid drilling into the gas tank, electrical system or other highly sensitive vehicle components.

Fig. A Screw the mount bracket to the mount. Depending on your vehicle, you may need to change the orientation of the bracket.

Fig. B Attach the floor / console bracket with screws.

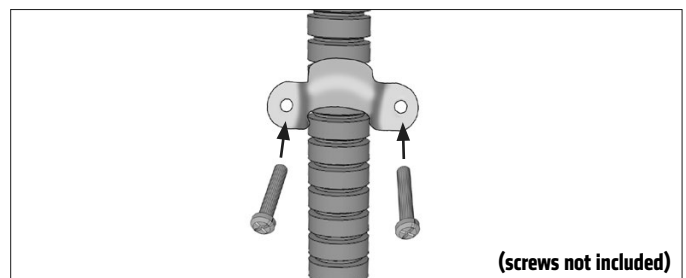


Attach a Tablet or Phone Holder to the Mount



Set Screw (Optional)

Optional: Attach included metal conduit to console to minimize vibration.



(screws not included)

Safety Precautions
Do not install Arkon products over an air bag cover or within the air bag deployment zone. Arkon Resources, Inc. assumes no responsibility of liability for injury or death as a result of car crashes and / or air bag deployment.

Arkon is not responsible for any damages caused to your vehicle, your device, or yourself due to the installation or use of this mount.

ARKON MOUNTS

Consumer Hotline:
USA (800) 841-0884
INT'L (626) 254-9005
Monday - Friday 9 am - 5 pm, PST

www.arkon.com
Arcadia, CA 91006 USA
Designed in USA | Made in Taiwan and USA
© Copyright 2019 Arkon Resources, Inc.