

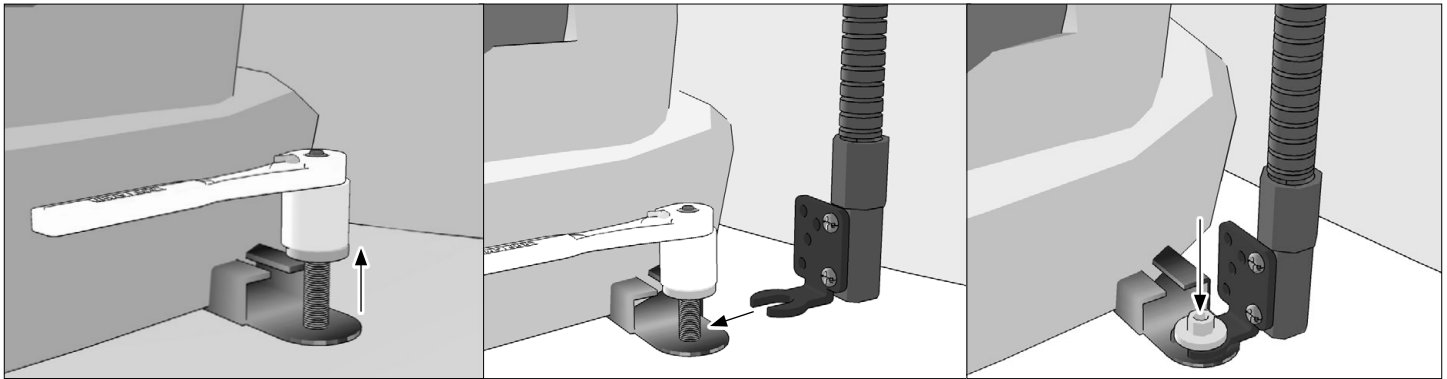


Package Contents:

(1) GN088-SBH-AMPS-L22 - Aluminum Seat Rail or Floor Mount with 22" Flexible Gooseneck and 4-Hole AMPS Head

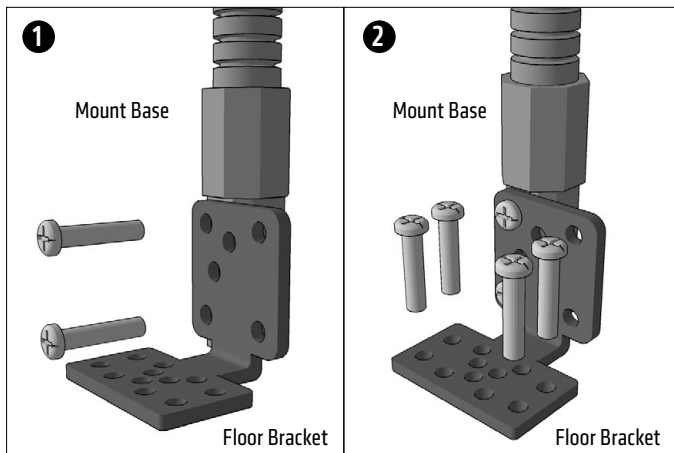
Passenger Seat Bolt Mounting – Option 1:

- 1** Use a socket wrench to loosen the passenger seat track bolt.
- 2** Insert the seat track bolt bracket.
- 3** Retighten the seat track bolt.

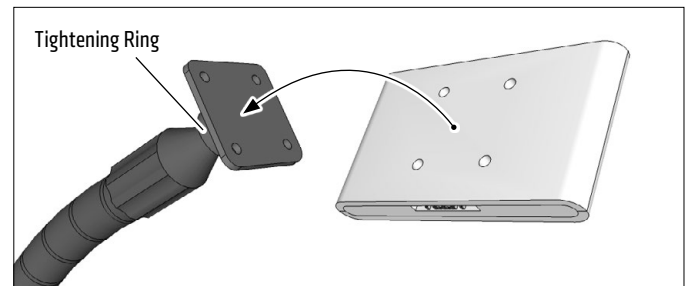


Floor Mounting – Option 2:

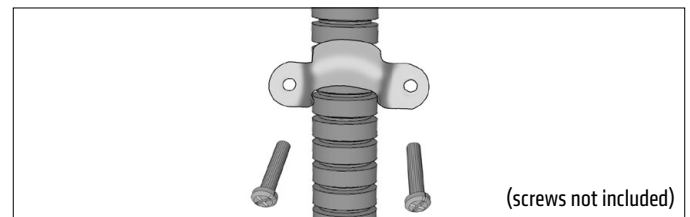
Screw the floor bracket to the mount. (Depending on your vehicle, you may need to change the orientation of the bracket.) Attach the floor / console bracket with screws.



Using the 4-Hole AMPS Head: Attach any AMPS-compatible device, holder, or adapter (not included, sold separately) to the AMPS head using appropriate screws (not included). Loosen tightening ring to set device at desired angle and then retighten.



Optional: Attach included metal conduit to console to minimize vibration.



! Safety Precautions
Do not install Arkon products over an air bag cover or within the air bag deployment zone. Arkon Resources, Inc. assumes no responsibility of liability for injury or death as a result of car crashes and / or air bag deployment.

Arkon is not responsible for any damages caused to your vehicle, your device, or yourself due to the installation or use of this mount.

ARKON
RESOURCES INC. The Mobile Mounting Specialists™

Consumer Hotline:
USA (800) 841-0884
INT'L (626) 254-9005
Monday - Friday 9 am - 5 pm, PST

www.arkon.com
Arcadia, CA 91006 USA
Designed in USA | Made in Taiwan
© Copyright 2016 Arkon Resources, Inc.