

Package Contents:

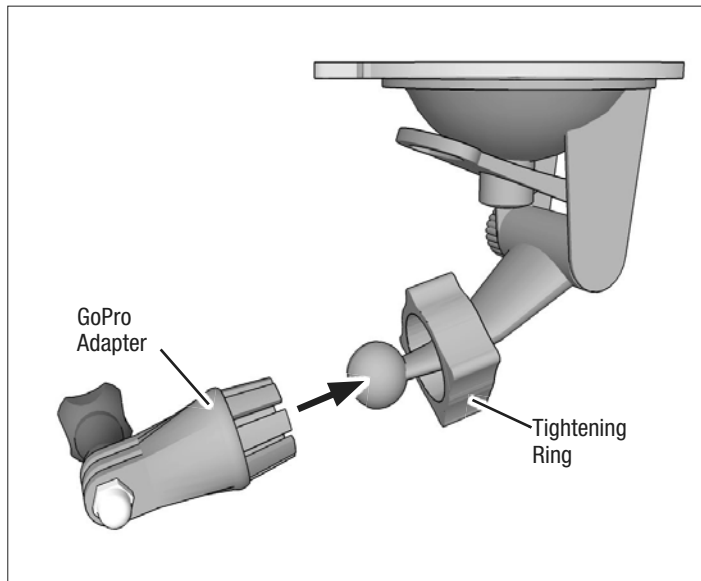


! Do not place mount in or near an air bag deployment zone or where it will obstruct view of the road.

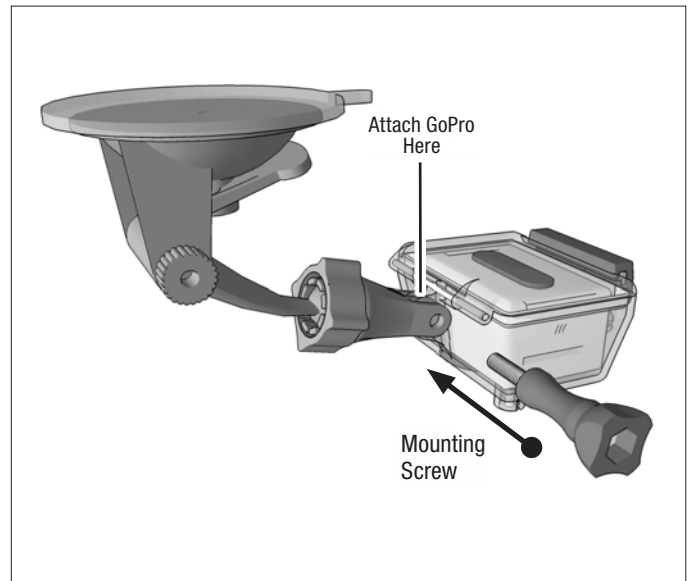
IMPORTANT: Make sure to set your GoPro® Camera to record upside down when mounting on the windshield.

GoPro® is a registered trademark of Woodman Labs, Inc. in the United States and other countries. Arkon Resources, Inc is not affiliated with Woodman Labs.

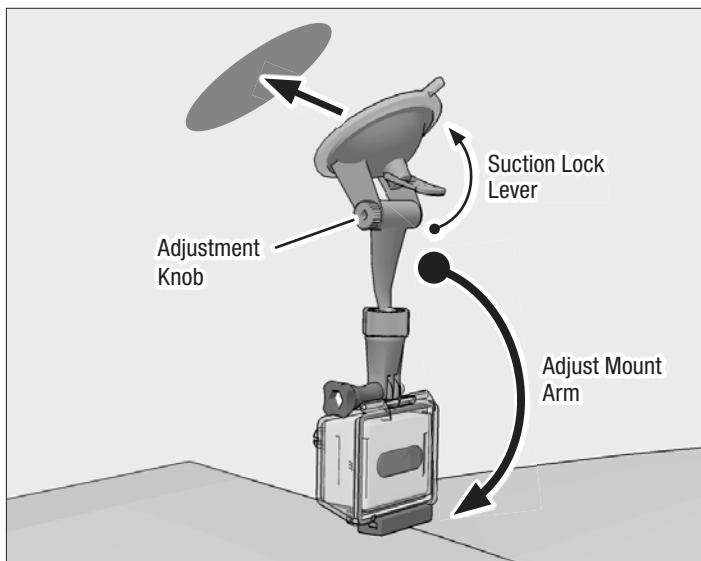
- Put tightening ring over ball head, then snap GoPro adapter onto the ball head. Connect both, tighten as necessary.



- Remove screw from the 3-prong bracket and insert GoPro camera and case, then reinsert screw. Tighten as needed.



- Attach mount to windshield and engage suction lock lever. Adjust the mount arm as needed via the adjustment knob.



Optional: For dashboard mounting, use adhesive dashboard disk. Let dashboard disk adhesive cure for at least 24 hours before use.

