

**Package Contents:**

- GN086-SBH** – C-Clamp Mounting Pedestal with 4" Adjustable Arm
- AP-CMP** – 1/4"-20 Camera Bolt Adapter
- SP-SB-AMPS-22** - 4-Hole AMPS Swivel Ball Head for 22mm Pedestals
- SP-1420-SCREW** – 1/4"-20 to GoPro® Mount Connection Adapter

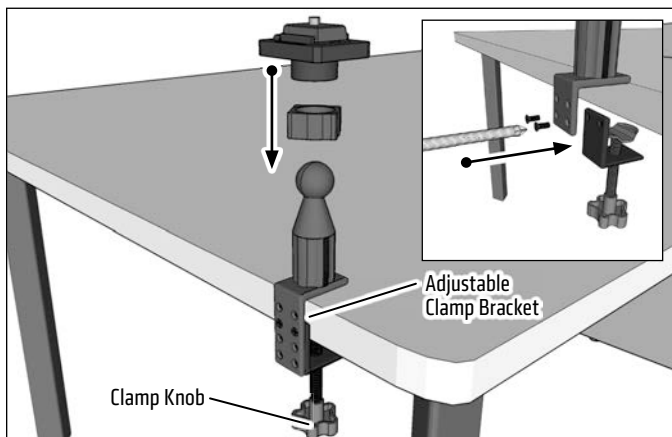
**NOTE:** C-Clamp Opening: 0" – 3" (0mm – 76mm)

**Device Compatibility:**

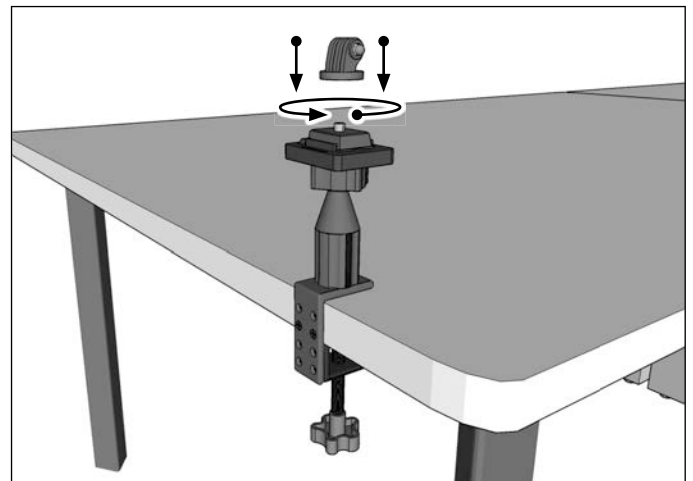
Compatible with GoPro® HERO® action cameras, as well as 1/4"-20 compatible cameras.

GoPro® and HERO® are trademarks or registered trademarks of Woodman Labs, Inc. in the United States and other countries. Arkon Resources, Inc. is not affiliated with Woodman Labs.

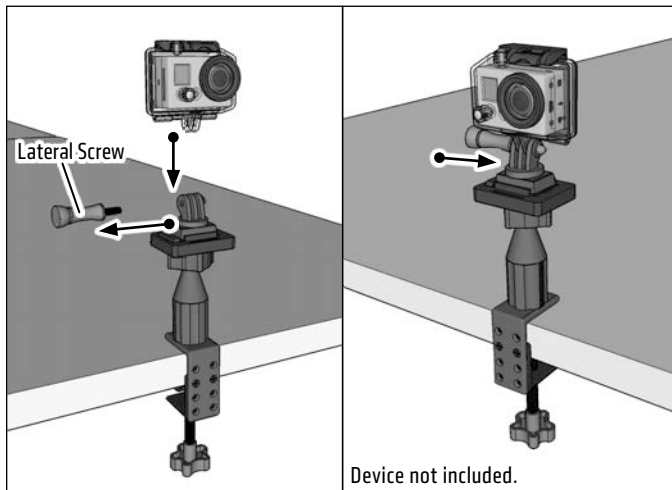
- 1** Attach pedestal clamp by turning the c-clamp knob clockwise; adjust the clamp bracket position if necessary with a Phillips screwdriver. Place ring over ball, attach camera bolt adapter over ball, and tighten to set to position.



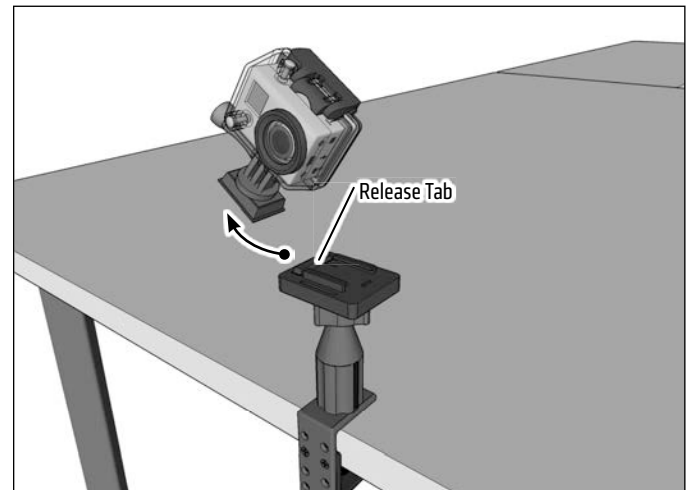
- 2** Screw the GoPro adapter onto the mount's 1/4"-20 bolt.



- 3** Unscrew lateral screw and insert GoPro camera to the adapter. Re-insert lateral screw.



**OPTIONAL:** Release the GoPro camera by pressing on the release tab.



**! Safety Precautions**

Arkon is not responsible for any damages caused to your device or yourself due to the installation or use of this mount.

**ARKON MOUNTS**

Consumer Hotline:

USA (800) 841-0884

INT'L (626) 254-9005

Monday - Friday 9am - 5pm, PST

[www.arkon.com](http://www.arkon.com)

Arcadia, CA 91006 USA

Designed in USA | Made in China & Taiwan

© Copyright 2021 Arkon Resources, Inc.