



Package Contents:

RM0862T – Heavy-Duty C-Clamp Mounting Pedestal with 4" Adjustable Arm

SP25MMCAM – 25mm Ball to 1/4"-20 Camera Head Adapter

SP-1420-SCREW – 1/4"-20 to GoPro® Mount Connection Adapter

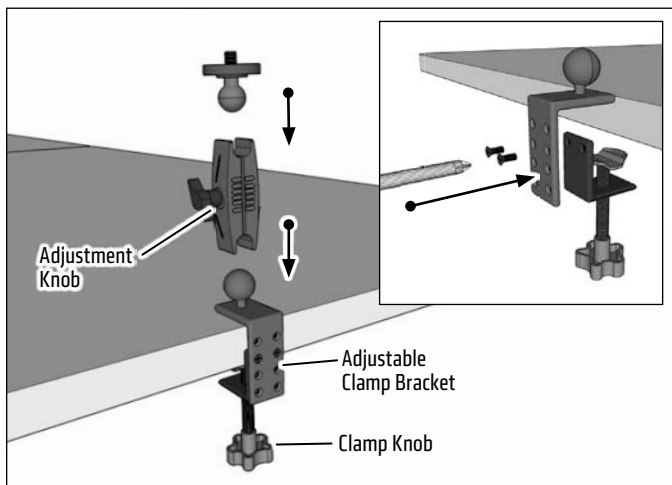
NOTE: C-Clamp Opening: 0" – 3" (0mm – 76mm)

Device Compatibility:

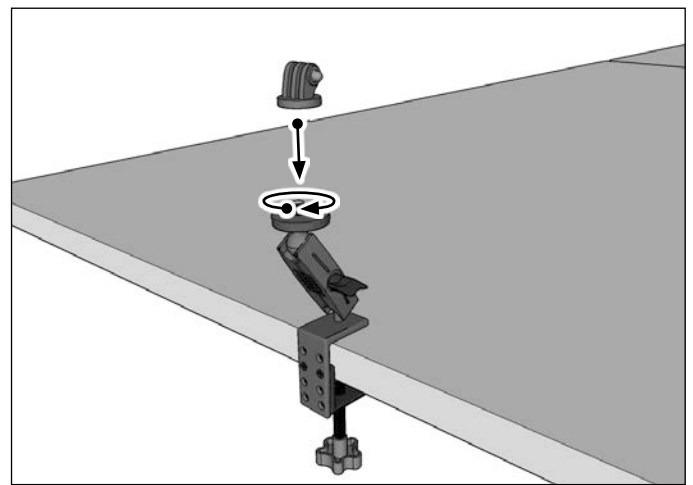
Compatible with GoPro® HERO® action cameras, as well as 1/4"-20 compatible cameras.

GoPro® and HERO® are trademarks or registered trademarks of Woodman Labs, Inc. in the United States and other countries. Arkon Resources, Inc. is not affiliated with Woodman Labs.

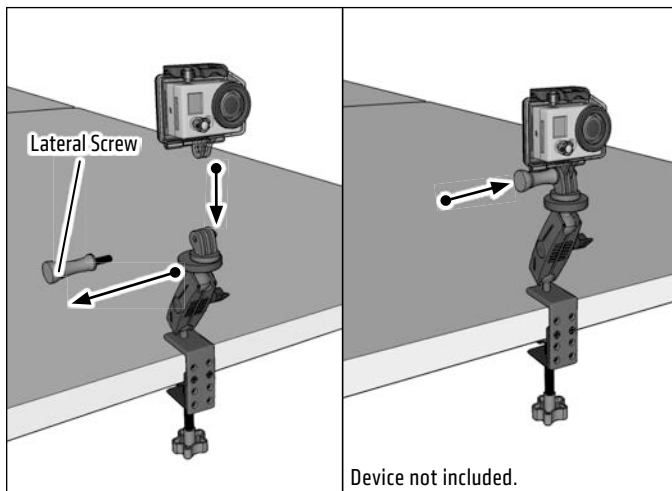
- 1 Attach pedestal clamp by turning the c-clamp knob; adjust the clamp bracket position if necessary with a Phillips screwdriver. To attach the camera head adapter, loosen the adjustment knob, insert the adapter, and retighten to desired position.



- 2 Screw the GoPro adapter onto the mount's 1/4"-20 bolt.



- 3 Unscrew lateral screw and insert GoPro camera to the adapter. Re-insert lateral screw.



! Safety Precautions

Arkon is not responsible for any damages caused to your device or yourself due to the installation or use of this mount.

ARKON MOUNTS

Consumer Hotline:

USA (800) 841-0884

INT'L (626) 254-9005

Monday - Friday 9am - 5pm, PST

www.arkon.com

Arcadia, CA 91006 USA

Designed in USA | Made in China & Taiwan

© Copyright 2021 Arkon Resources, Inc.