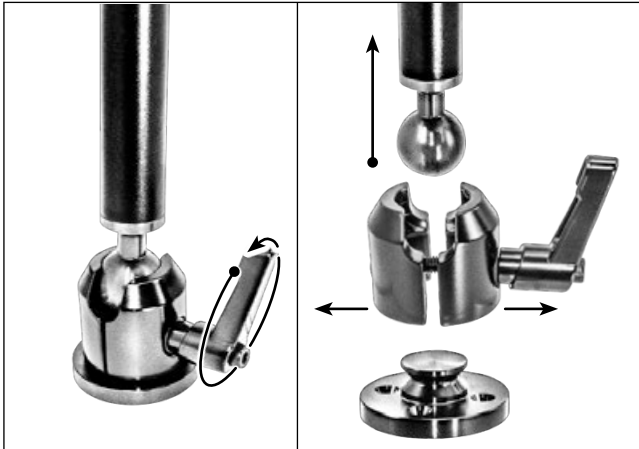
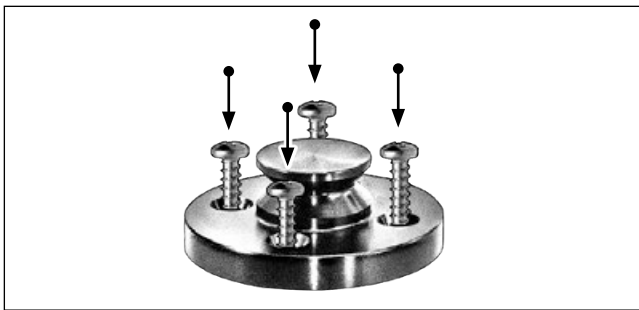


- 1** Unscrew knob at the base of the mount to separate the drill base from the rest of the mount.



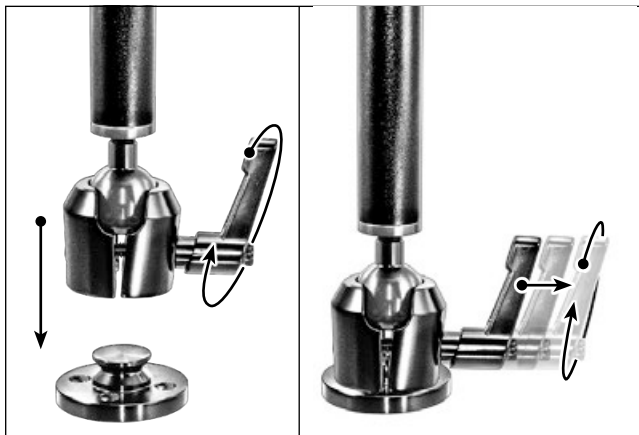
- 2** Tighten 4 screws through the pre-drilled holes of the base into the mounting surface (screws included).

**Tip:** You may need to drill pilot holes and/or insert the included screw anchors first, depending on the mounting surface.



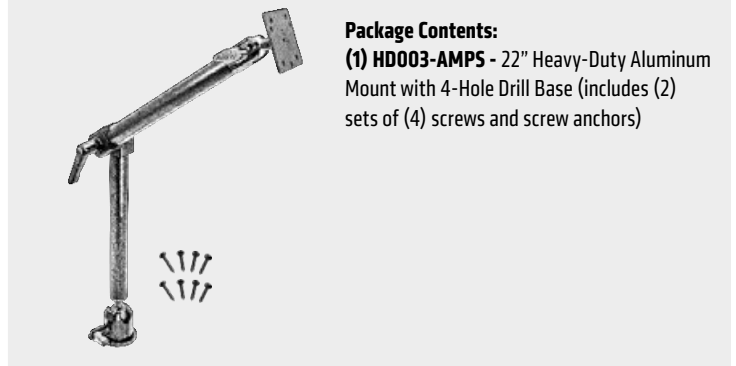
- 3** Replace the mount over the base. Tighten knob to secure.

**Tip:** Once the mount is drilled into a flat surface, it may be difficult to adjust tightness. The tightening knob can be lifted up much like a socket wrench in order to be repositioned for tightening.



**Package Contents:**

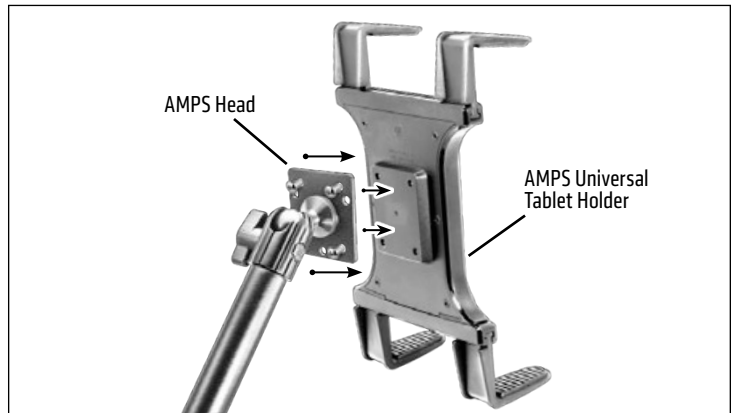
**(1) HD003-AMPS - 22" Heavy-Duty Aluminum Mount with 4-Hole Drill Base** (includes (2) sets of (4) screws and screw anchors)



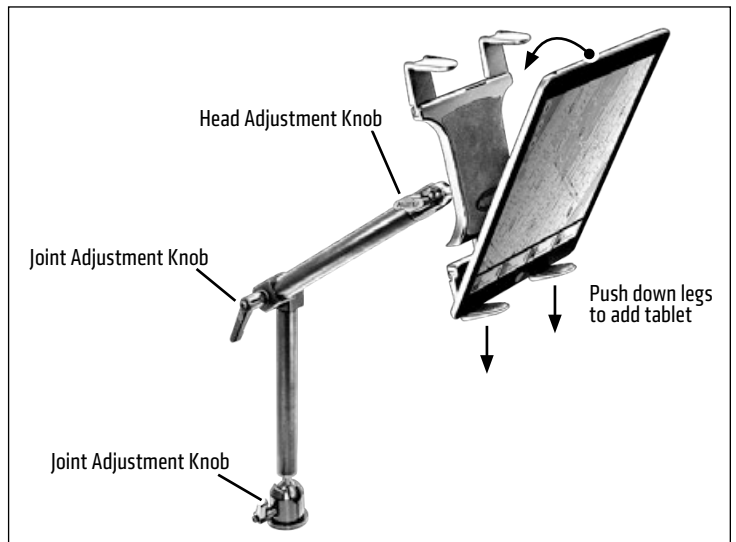
**Safety Precautions**

Drilling into the dash or console is a permanent installation to the vehicle. Use caution and consult a mobile install professional to avoid drilling into the gas tank, electrical system or other highly sensitive vehicle components.

- 4** Attach an AMPS-compatible holder to the mount with screws.



- 5** Adjust the mount's positioning by loosening the adjustment knobs and re-tightening in the desired position.



**Safety Precautions**

Do not install Arkon products over an air bag cover or within the air bag deployment zone. Arkon Resources, Inc. assumes no responsibility of liability for injury or death as a result of car crashes and/or air bag deployment.

Arkon is not responsible for any damages caused to your car, your device, or yourself due to the installation or use of this pedestal mount.

**ARKON**  
RESOURCES INC.

The Mobile Mounting Specialists™

Consumer Hotline:

USA (800) 841-0884

INT'L (626) 254-9005

Monday - Friday 9 am - 5 pm, PST

[www.arkon.com](http://www.arkon.com)

Arcadia, CA 91006 USA

Designed in USA | Made in Taiwan

© Copyright 2017 Arkon Resources, Inc.